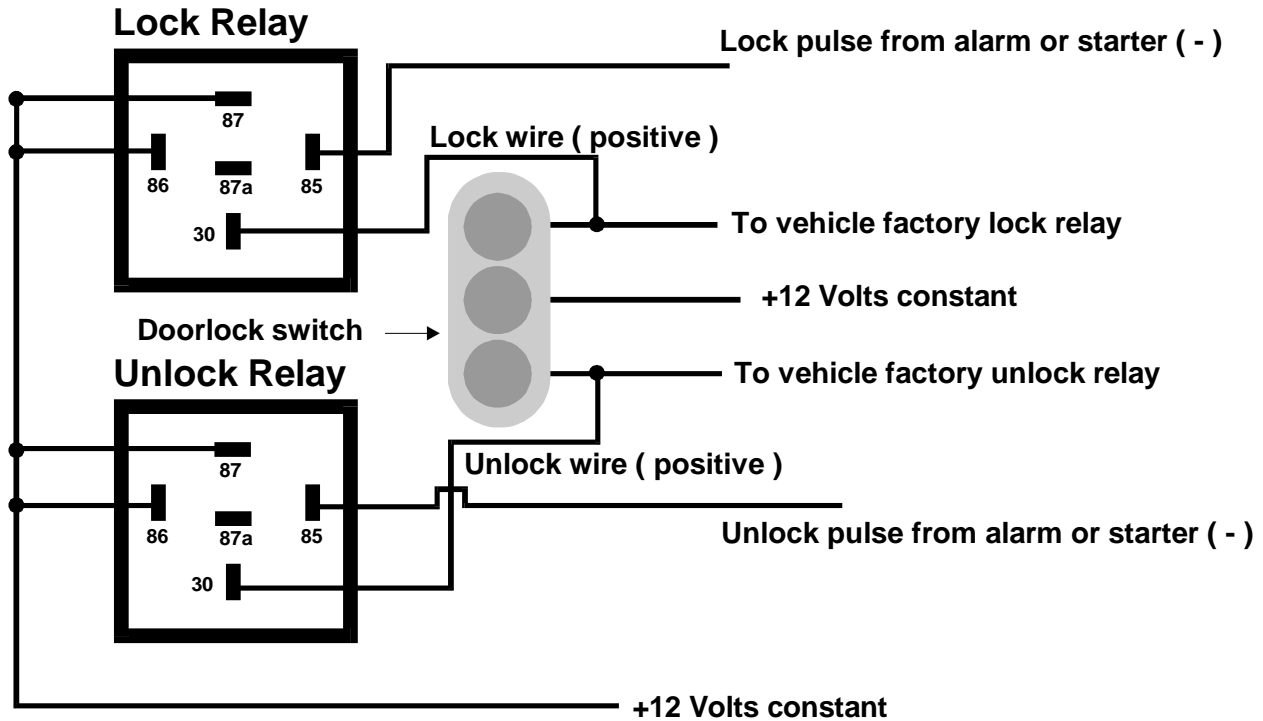


## POSITIVE DOORLOCK SYSTEMS



This doorlock system is commonly found in most General Motors vehicle as well as Volkswagen. Locate the 2 wires coming from the doorlock switch that show 12 volts when the switch is toggled from lock to unlock and wire 2 relays as shown.

**NOTE:** The information on this sheet is provided on an "as is" basis with no representation or warranty of accuracy whatsoever. It is the sole responsibility of the installer to check and verify any circuit before connecting to it. Only a computer safe logic probe or digital multimeter should be used. VSI Vehicle Systems Information Corp. assumes absolutely no liability or responsibility whatsoever pertaining to the accuracy or currency of the information supplied. The installation in every case is the sole responsibility of the installer performing the work and VSI Vehicle Systems Information Corp. assumes no liability or responsibility whatsoever resulting from any type of installation, whether performed properly, improperly or any other way. The information supplied is a guide only.