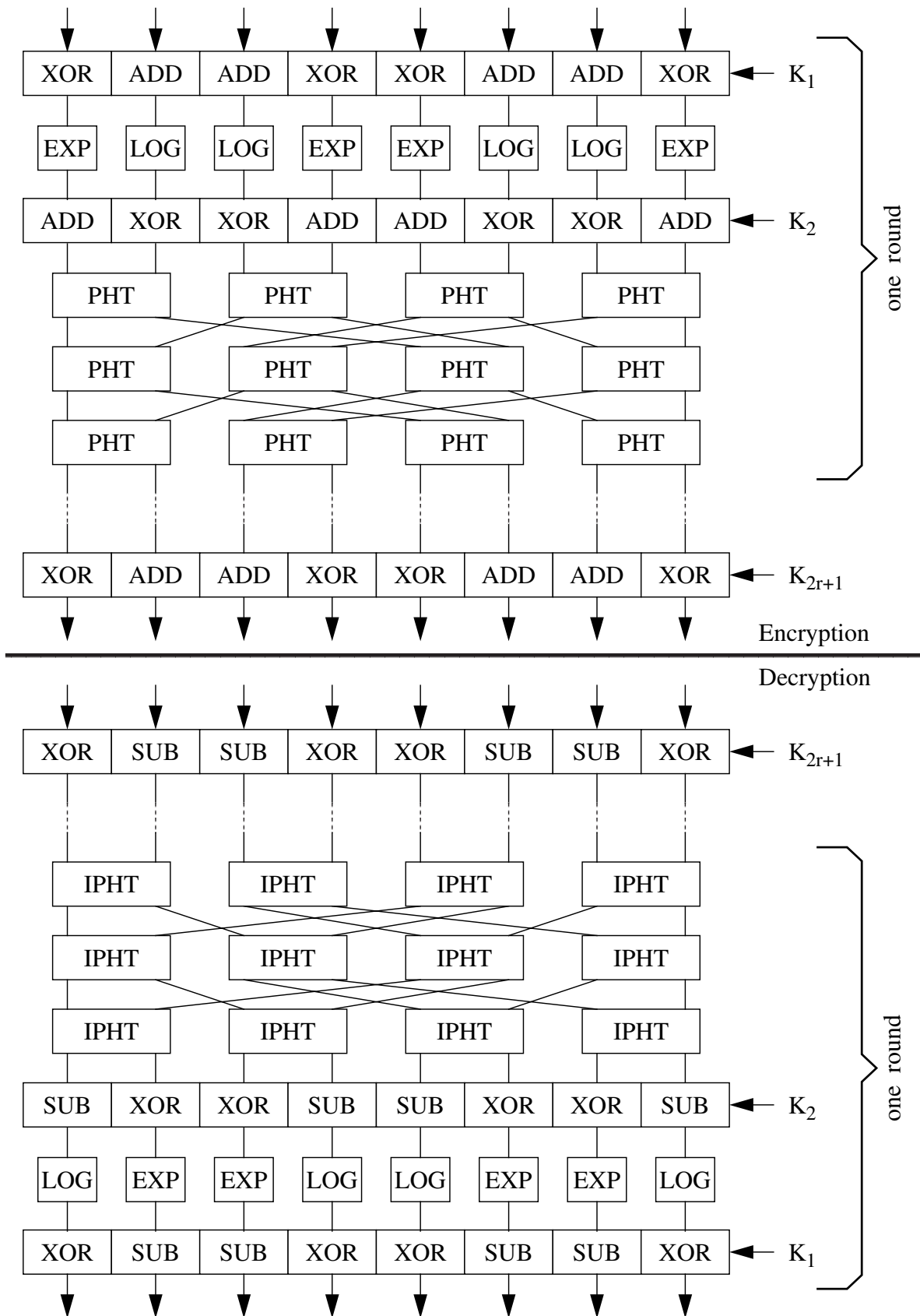
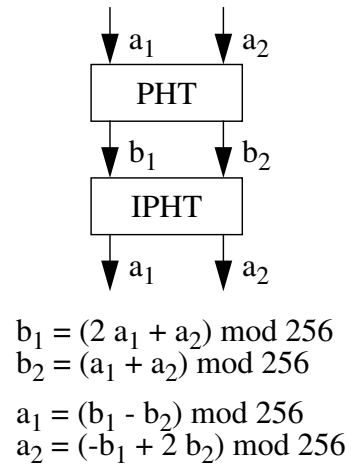
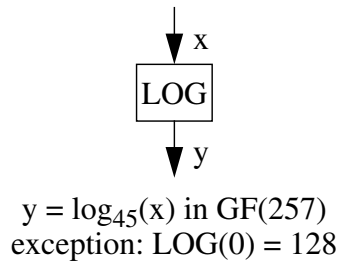
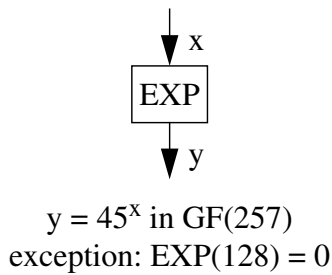
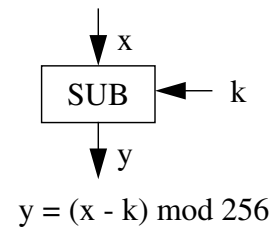
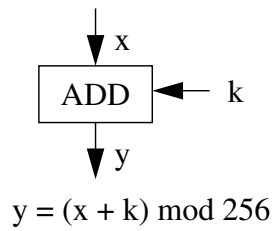
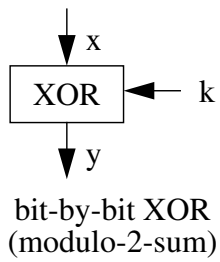
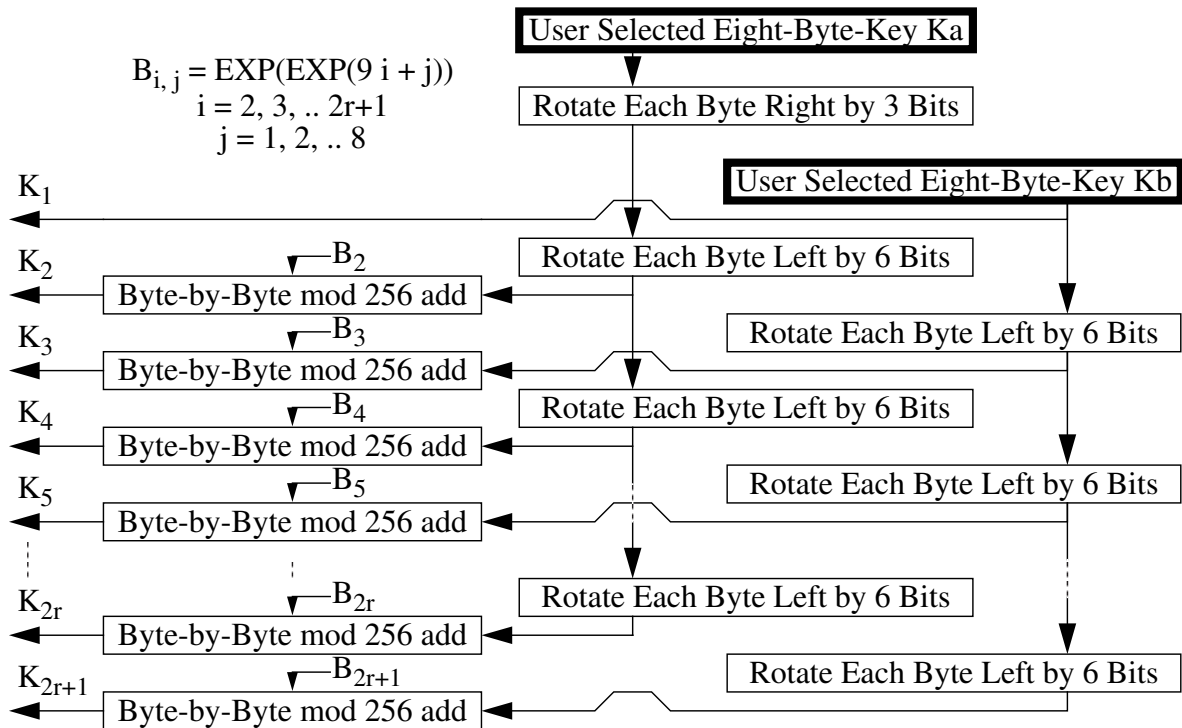


## SAFER: Secure And Fast Encryption Routine





### Key Schedule



For SAFER K-64 the same key scheduling is applied but with  $K_a = K_b$ .

Recommendations:  $r = 6$  for SAFER K-64 and  $r = 10$  for SAFER K-128