

PowerCenter™ Pro Certification Module

PowerCenter Pro Low Profile 180/210



Table of Contents

PowerCenter™ Pro LP Specifications

Specifications for the PowerCenter Pro LP 180/210	Page 2
MLB Diagram	Page 5

CUDA Reset

For Your Safety	Page 3
Purpose of CUDA Reset.....	Page 4

Bezel Removal/Installation

Removing and installing the chassis cover.....	Page 6
Removing and installing the front bezel.....	Page 7

Board Removal/Installation Procedures

Removing and installing RAM	Page 9
Removing and installing CPU card.....	Page 11
Removing and installing L2 cache	Page 13
Removing and installing PCI expansion cards.....	Page 14
Removing and installing PCI Riser card.....	Page 17
Removing and installing Adaptec SCSI Card	Page 19

Drive Removal/Installation Procedures

Removing and installing drives in the 5.25-inch drive bay.....	Page 22
Removing and installing the floppy drive.....	Page 24

System Level Removal/Installation Procedures

Removing and installing the MLB.....	Page 26
Removing and installing the power supply	Page 28

PowerCenter Pro LP Specifications

CPU	PowerPC 604e at 180MHz or 210MHz
Main Logic Board	Catalyst (Comparable to a Macintosh 7200)
CPU Upgrade	Available via daughtercard replacement
MacOS	7.5.3, 7.5.5, 7.6, 7.6.1
Memory	4 DIMM slots—168-pin, 64 bit, 60 ns (512 Mb max); Memory interleaving not supported
Cache	1MB Level 2
SCSI	SCSI-2, 5 MB/sec data transfer rate, built-in; UltraSCSI, 20 MB/sec data transfer rate via Adaptec PCI card (supports the internal hard drive only)
Serial Ports	High speed GeoPort-compatible 9-pin modem and printer ports
Network	Built-in Ethernet AAUI port; Built-in Ethernet 10 Base-T port; LocalTalk serial connection via modem or printer port
Bus Expansion	Three PCI expansion slots (one slot filled with Adaptec UltraSCSI card)
Floppy Drive	One 3.5-inch, 1.4MB floppy disk drive. Supports MacOS, Windows, DOS, OS/2 and ProDOS disk formats.
Video	Internal video on PCI Riser card: 3D ATI Xclaim GT chip set 2MB or 4MB VRAM; Mac/SVGA connections
Audio	16 bit, 44.1 KHz Stereo in/out connections (microphone port requires line-level input, such as Apple's Plaintalk Microphone); Built-in speaker
ROM	Removeable Apple ROM
Case style	Low Profile
Drive Bays	One front accessible, full-height 5.25-inch drive bay
Dimensions	16.8"(W) X 4.4"(H) X 16"(D); 21 lb (9.5 kg)
Power Supply	145W, 100V-240V (Domestic/International manual switching)



For Your Safety

To ensure your personal safety as well as prevent unnecessary damage to the computer, please follow all safety precautions when performing any service on Power Computing computers.

Note: Always make sure that the computer is powered down before attempting any service. To make sure that the computer is completely powered down, check the light behind the power button on the front bezel and make sure that it is off.

Preventing ESD (Electrostatic Discharge) - There are two means by which a technician can maintain a ground and eliminate ESD:

- wear an ESD wrist strap that is grounded to the computer
- power down the computer, but leave the CPU power cord plugged into the wall socket; touch the metal case of the power supply to ensure complete static discharge before service.

Do not wear loose clothing or jewelry that may become caught in the components inside of the computer case.

Make sure that the work environment is free from excessive moisture. Any moisture on the components of the computer may cause damage.

If you need further assistance, please call:

1-800-708-6227



CUDA Reset

The CUDA Reset button is a small red button located on the Main Logic Board. Depressing this button resets the CUDA Microcontroller Chip. This chip is responsible for the following functions:

- Turns system power on and off
- Manages system resets from various commands
- Maintains parameter RAM
- Manages the Apple Desktop Bus (ADB)
- Manages the real-time clock
- Lets an external signal from either Apple GeoPort serial port control system power

It is rarely necessary to reset CUDA, but many problems that appear to be hardware related can be fixed by doing so. Resetting CUDA will not harm the machine in any way. Some of the most common reasons to reset CUDA are:

- After adding RAM, the machine will not boot, RAM does not show up in the memory control panel, etc.
- Machine will not power up
- Machine powers up, but does not chime or boot
- A serial port remains inaccessible even after booting without extensions, resetting parameter RAM, etc.
- Machine will power down for no apparent reason
- After adding any hardware to the inside of the machine

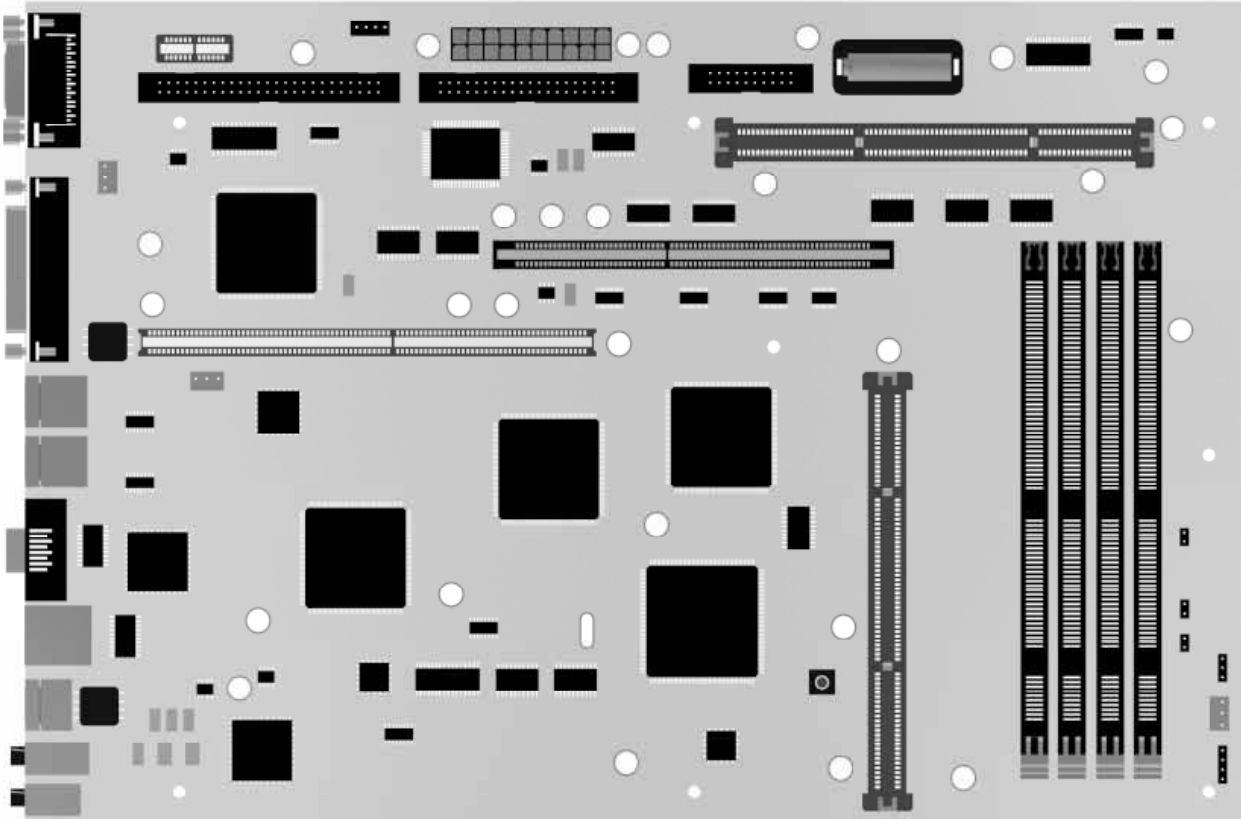
Resetting CUDA

1. Shut down the computer and disconnect all external devices, but leave the power cable plugged in to ground the computer.
2. Remove the cover (refer to ***Chassis Cover Removal/Installation*** on page 6).
3. Touch the metal chassis of the machine. This will dissipate static electricity into ground.
4. Locate the CUDA Reset button (refer to ***MLB Diagram*** on page 5).
5. Press the CUDA Reset button for a few seconds.
6. Reboot, and verify resolution of the problem you wanted to solve.

Note: Resetting the CUDA will cause some system settings to default to factory settings.



MLB DIAGRAM





Chassis Cover Removal/Installation

Removing the Chassis Cover

1. Shut down the computer and turn off all external devices. If you do not have a grounding strap, leave the computer plugged into the wall socket. Leaving the computer plugged in ensures a positive ground. Disconnect everything but the power cord.
2. Locate and remove the three screws on the back of the computer that affix the case to the back of the machine. (see **Figure 1: Removing the chassis cover** on page 6).
3. Slide the cover towards the back of the machine and lift off.

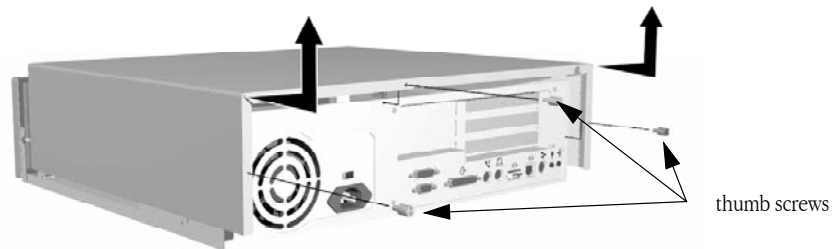


Figure 1: Removing the chassis cover

Installing the Chassis Cover

1. Standing at the front of the machine, place the front edge of the cover under the front bezel with the back edge tilted toward you.
2. Place the back end of the cover down and slide the cover forward.
3. Screw the thumb screws into the appropriate holes in the rear of the machine and reconnect the cables to the back of the machine.



Front Bezel Removal/Installation

Removing the Front Bezel Cover

1. Remove the chassis cover (refer to **Chassis Cover Removal/Installation** on page 6).
2. Remove the floppy disk drive. (refer to **Removing the Floppy Disk Drive** on page 24).
3. Remove the screw located behind the front of the chassis. It is centered under the top lip of the chassis against the 5.25-inch drive bay.
4. Disengage the top three tabs that secure the bezel to the front of the computer (see **Figure 2: Disengage Bezel Tabs** on page 7). All three of these tabs must be disengaged before the front bezel can be removed. The tabs are located on the inside of the chassis frame:
 - one is on the left end of the chassis (flat)
 - one is on the right end of the chassis (round)
 - one is at the top edge and located immediately to the left of the floppy drive cutout. (flat)

The top of the front bezel will disengage and rotate forward. Gently pull the bezel directly forward to disengage the remaining bottom 3 tabs. The bezel will then lay face down directly in front of the chassis.

5. Disengage the wiring between the chassis and the front bezel.

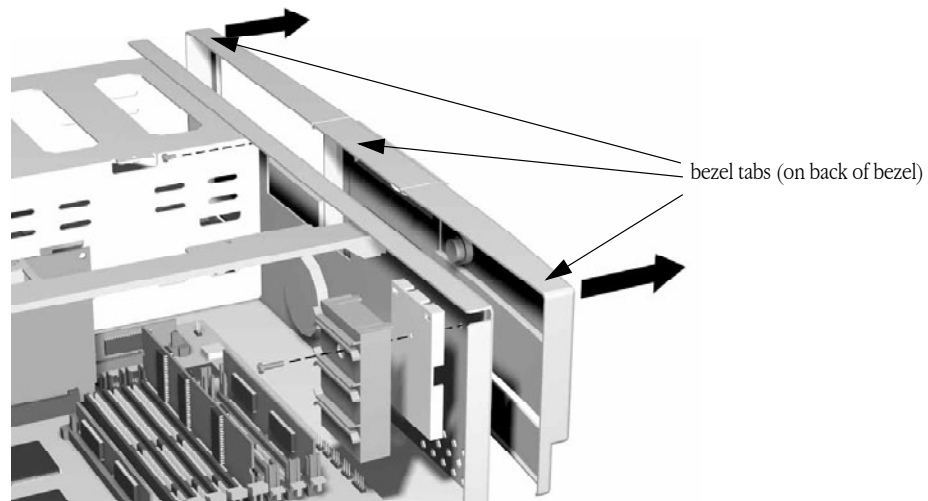


Figure 2: Disengage Bezel Tabs

Installing the Front Bezel

1. Connect the bezel wires to their respective ports on the main logic board.
2. Line up the bottom three tabs and push them in until they click. Lift the top edge of the bezel and line up the tabs. Press the top edge of the front bezel until the tabs click into place..
3. Install the floppy drive (refer to *Floppy Disk Drive Removal/Installation* on page 24).
4. Replace the chassis cover (refer to *Chassis Cover Removal/Installation* on page 6).



RAM Removal/Installation

Note: All DIMMs must be 168-pin, fast-paged mode, 60-nanosecond RAM access time or faster. The PowerCenter has four DIMM slots near the front on the motherboard. DIMMs may be installed in any slot.

Removing RAM

1. Remove the chassis cover (refer to *Chassis Cover Removal/Installation* on page 6).
2. Locate the DIMM(s) you would like to remove (see *Figure 3:* on page 9). Loosen the desired DIMM module by reaching in and pushing down on the small lever at the end of the DIMM slot. (see *Figure 4: Removing RAM* on page 9). The DIMM should pop loose from the slot at the lever end.

Figure 3:
DIMM slot
location

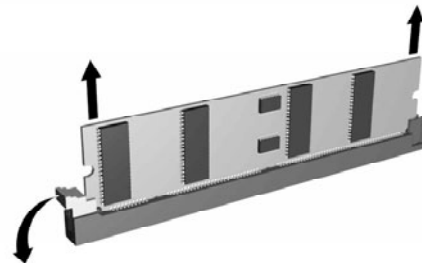
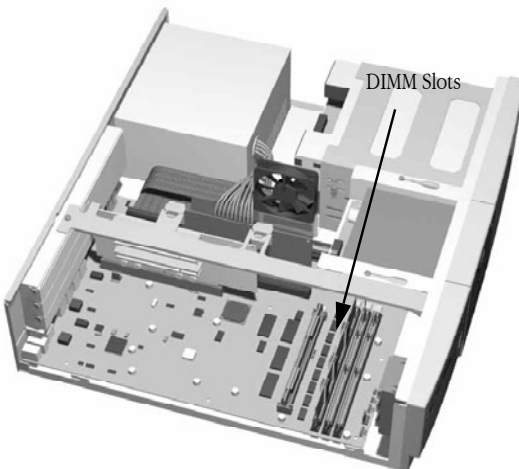


Figure 4: Removing RAM

3. Grasp the DIMM module on each end and evenly pull the module up and out of the slot.

Installing RAM

1. Hold the module (with the contacts down) with one hand at each end. Notice that there are two notches in the contact edge of the DIMM module.
2. Lower the DIMM squarely into the slot so that the notches in the DIMM line up with the notches in the slot. Slide the contacts straight into the slot and make sure the contacts are firmly seated. (see *Figure 5: Installing RAM* on page 10). When properly seated, the contacts on the bottom should not be visible.

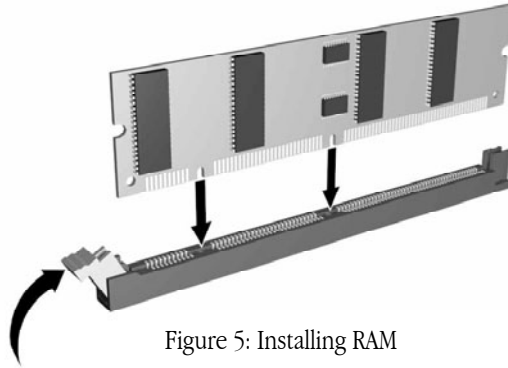


Figure 5: Installing RAM

Note: Don't force the DIMM module into the slot; if the MLB starts bending significantly, pull the DIMM out, reposition it, and try again. If the DIMM module is seated correctly, the lever at the end of the DIMM slot should be completely raised.

3. Reset the CUDA (refer to *CUDA Reset* on page 4).
4. Replace the chassis cover (refer to *Chassis Cover Removal/Installation* on page 6).



CPU Removal/Installation

Removing the CPU

1. Remove the chassis cover (refer to *Chassis Cover Removal/Installation* on page 6).
2. Remove the retaining clips that secure the CPU to the support beam.
3. Place both hands on either side of the CPU card and lift up. Sometimes a gentle rocking motion from end to end (*not side to side*) will make it easier to remove the CPU card.

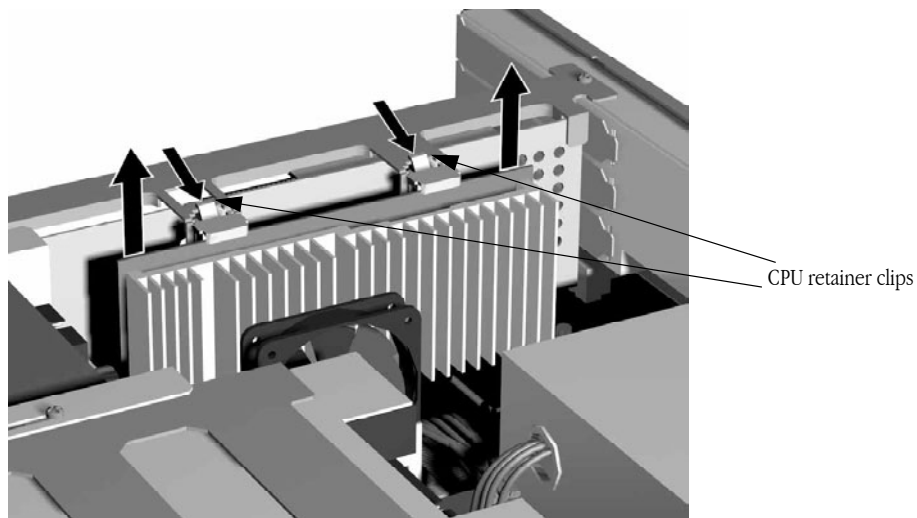


Figure 9: CPU removal

Installing the CPU

1. Hold the CPU card (contacts facing down) with one hand at each end. Notice that there is a notch in the contact edge of the CPU card.
2. Lower the CPU card squarely into the slot so that the notch in the CPU card lines up with the notch in the slot. Slide the contacts straight into the slot and make sure the contacts are firmly seated in the slot. (see *Figure 9: CPU removal* on page 11). When properly seated, the contacts on the bottom should not

be visible.

Note: Don't force the CPU card into the slot; if the MLB starts bending significantly, pull the CPU card out, reposition it, and try again.

3. Replace the retaining clips that secure the CPU to the support beam.
4. Reset the CUDA (refer to *CUDA Reset* on page 4).
5. Replace the chassis cover (refer to *Chassis Cover Removal/Installation* on page 6).



Cache Removal/Installation

Removing the Cache

1. Remove the chassis cover (refer to *Chassis Cover Removal/Installation* on page 6).
2. Locate the cache card (refer to *MLB Diagram* on page 5).

Note: The level 2 cache is located between the CPU riser card and the front drive bay assembly. If you believe that the area is too small to adequately grasp the cache card, remove the CPU riser before removing the cache (refer to *CPU Removal/Installation* on page 11.)

3. Place both hands on either side of the L2 cache card and lift up. Because the L2 cache is held in by a tight pressure fit, sometimes a gentle rocking motion from end to end (*not side to side*) will make it easier to remove the cache card.

Installing the Cache

1. Hold the L2 cache card (contacts facing down) with one hand at each end. Notice that there are notches in the contact edge of the L2 cache card.
2. Lower the L2 cache card squarely into the slot so that the notches in the L2 cache card line up with the notches in the slot. Slide the contacts straight into the slot and make sure the contacts are firmly seated. When properly seated, the contacts on the bottom should not be visible.

Note: Don't force the L2 cache card into the slot; if the MLB starts bending significantly, pull the L2 cache card out, reposition it, and try again.

4. Reset the CUDA (refer to *CUDA Reset* on page 4).
5. Replace the chassis cover (refer to *Chassis Cover Removal/Installation* on page 6).



PCI Card Removal/Installation

Note: Before you install any expansion cards, be sure that the combined power consumption of the expansion cards does not exceed the limits of the computer. Refer to the documentation that came with the cards you are installing for their power consumption rating and to “Power requirements” in the *User’s Guide* for the power consumption limit for this computer.

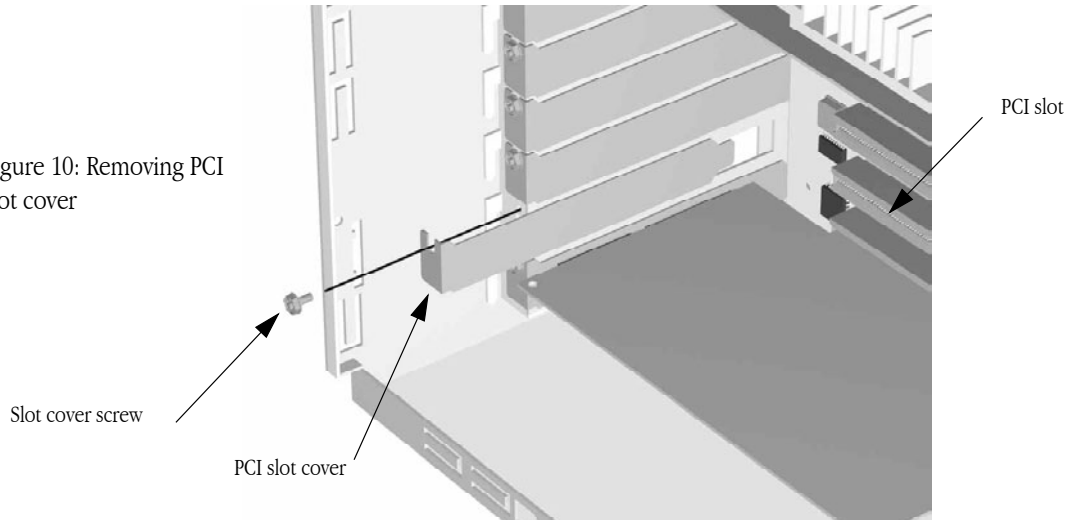
Removing PCI Cards

1. Remove the chassis cover (refer to *Chassis Cover Removal/Installation* on page 6).
2. Disconnect any cables that may be attached to the PCI card.
3. Remove the screw attaching the PCI card to the inside of the chassis.
4. Firmly grasp the PCI card and pull it straight out of the computer laterally. Be careful not to damage any components that may be protruding through the I/O slot. Sometimes a gentle rocking motion from end to end (*not side to side*) will make it easier to remove the PCI card.

Installing PCI Cards

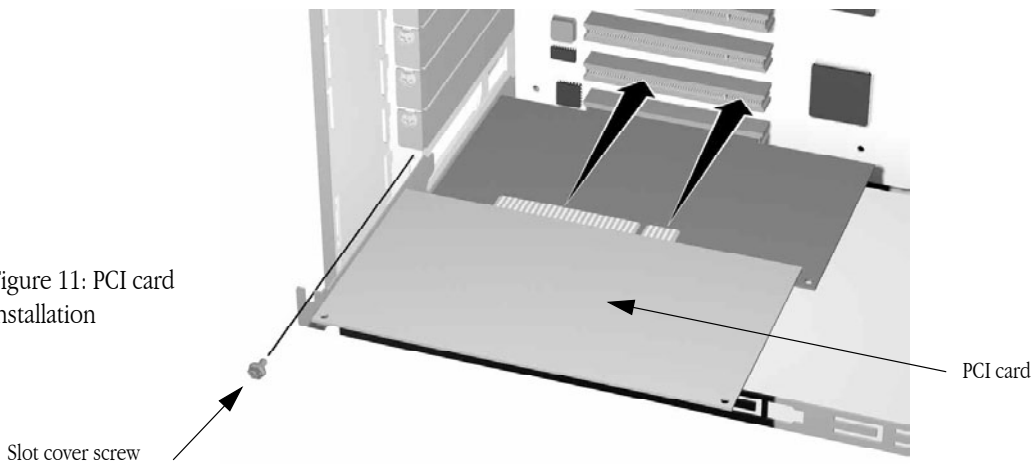
1. Remove the chassis cover (refer to *Chassis Cover Removal/Installation* on page 6).
2. Remove the retaining screw of the metal I/O slot cover from the slot you wish to use. (see *Figure 10: Removing PCI slot cover* on page 15).
3. Pull the I/O slot cover out the side so that the tongue at the bottom of the cover slides out of the slot in the chassis.

Figure 10: Removing PCI slot cover



4. Hold the PCI card (contacts facing down) with one hand at each end. Notice that there is a notch in the contact edge of the PCI card.
5. Lower the PCI card squarely into the PCI riser card so that the notch in the PCI card lines up with the notch in the PCI riser card. Slide the contacts straight into the PCI riser card and make sure the contacts are firmly seated. (see **Figure 11: PCI card installation** on page 15). When properly seated, the contacts on the bottom should not be visible. Secure the PCI card to the chassis with the retaining screw.

Figure 11: PCI card installation



Note: Don't force the PCI card into the slot; if the PCI riser card starts bending significantly, pull the PCI card out, reposition it, and try again.

6. Connect any wires or cables to the PCI card that are necessary for its proper operation.
7. Reset the CUDA (refer to **CUDA Reset** on page 4).
8. Replace the chassis cover (refer to **Chassis Cover Removal/Installation** on page 6).



PCI Riser Card Removal/Installation

Removing the PCI Riser Card

1. Remove the chassis cover (refer to *Chassis Cover Removal/Installation* on page 6).
2. Locate the riser card (refer to *MLB Diagram* on page 5).
3. Remove any installed PCI cards (refer to *PCI Card Removal/Installation* on page 14).
4. Remove the floppy drive (refer to *Floppy Disk Drive Removal/Installation* on page 24).
5. Remove the two screws that attach the riser card to the support beam.

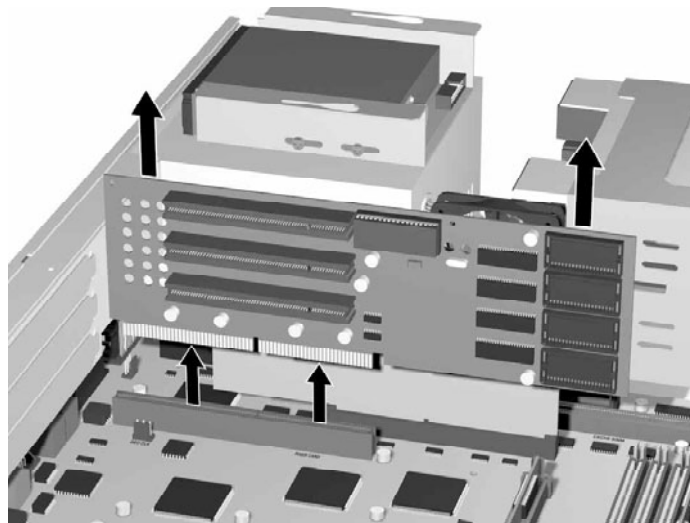


Figure 11:
PCI Riser Card
removal

6. Remove the hex-head screw that secures the support beam to the rear of the chassis.
7. Swing rear end of beam slightly up and out of chassis. Pull beam towards rear of machine to remove.
8. Firmly grasp the PCI riser card and pull it straight out of the computer. Sometimes a gentle rocking motion from end to end (*not side to side*) will make it easier to remove the PCI riser card.

Installing the PCI Riser Card

1. Lower the PCI riser card squarely into the PCI slot so that the notch in the PCI card lines up with the notch in the PCI slot. Slide the contacts straight into the PCI slot and make sure the contacts are firmly seated. When properly seated, the contacts on the bottom should not be visible.
2. Replace the support beam. First, fit the forward end of the stabilizer bar into the two small cut-outs in the front panel of the metal case. Then, swing the bar down, aligning it with the riser card and the processor card.
3. Replace the screw that attaches the beam to the back panel.
4. Replace the screws securing the PCI riser card to the support beam.
5. Replace the floppy drive (refer to **Floppy Disk Drive Removal/Installation** on page 24).
6. Reset the CUDA (refer to **CUDA Reset** on page 4).
7. Install the chassis cover (refer to **Chassis Cover Removal/Installation** on page 6).



Adaptec SCSI Card Removal/Installation

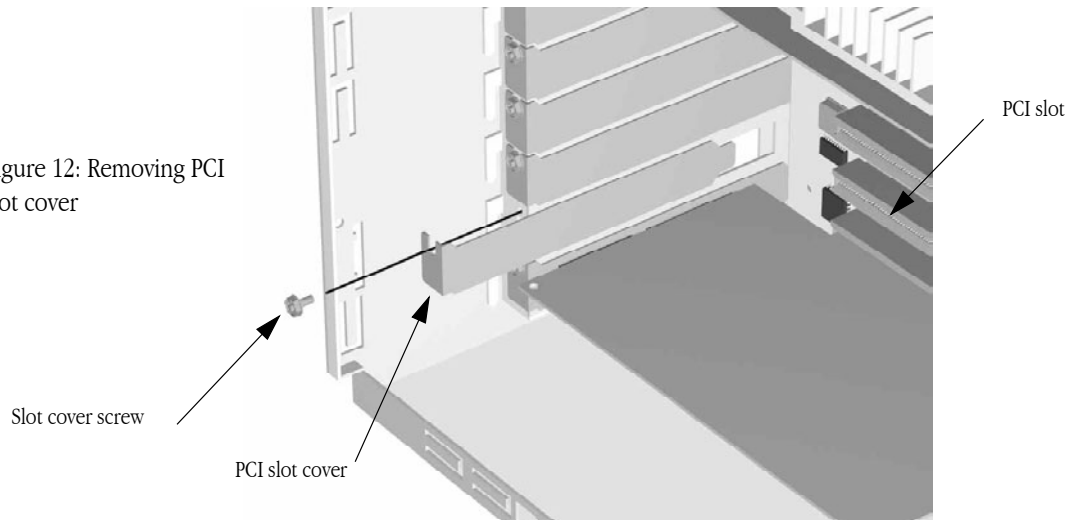
Removing the Adaptec SCSI Card

1. Remove the chassis cover (refer to *Chassis Cover Removal/Installation* on page 6).
2. Disconnect any cables that may be attached to the Adaptec SCSI card.
3. Remove the screw attaching the Adaptec SCSI card to the inside of the chassis.
4. Firmly grasp the Adaptec SCSI card and pull it straight out of the computer laterally. Be careful not to damage any components that may be protruding through the I/O slot. Sometimes a gentle rocking motion from end to end (*not side to side*) will make it easier to remove the card.

Installing the Adaptec SCSI Card

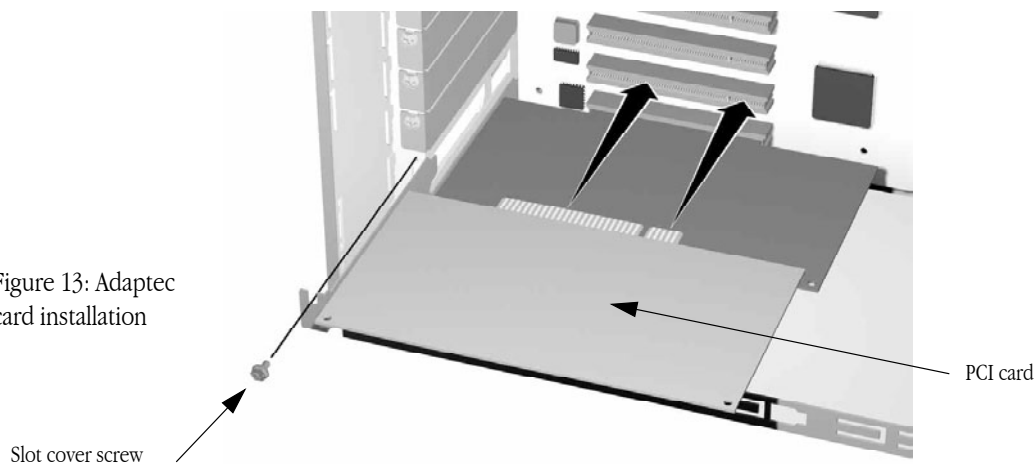
1. Remove the chassis cover (refer to *Chassis Cover Removal/Installation* on page 6).
2. Remove the retaining screw of the metal I/O slot cover from the slot you wish to use. (see *Figure 12: Removing PCI slot cover* on page 20).
3. Pull the I/O slot cover out the side so that the tongue at the bottom of the cover slides out of the slot in the chassis.

Figure 12: Removing PCI slot cover



4. Hold the Adaptec SCSI card (contacts facing down) with one hand at each end. Notice that there is a notch in the contact edge of the PCI card.
5. Lower the Adaptec SCSI card squarely into the PCI riser card so that the notch in the PCI card lines up with the notch in the PCI riser card. Slide the contacts straight into the PCI riser card and make sure the contacts are firmly seated. (see **Figure 13: Adaptec card installation** on page 20). When properly seated, the contacts on the bottom should not be visible. Secure the PCI card to the chassis with the retaining screw.

Figure 13: Adaptec card installation



Note: Don't force the PCI card into the slot; if the PCI riser card starts bending significantly, pull the PCI card out, reposition it, and try again.

6. Connect the UltraSCSI cable to the Adaptec SCSI card.
7. Reset the CUDA (refer to **CUDA Reset** on page 4).
8. Replace the chassis cover (refer to **Chassis Cover Removal/Installation** on page 6).

Routing the Ultra SCSI Cable

1. Use the fold in the cable to identify the end that attaches to the Adaptec SCSI card. The connector closest to the fold attaches to the hard drive. The other connector attaches to the card.
2. The Adaptec SCSI card should be in the second or middle slot.
3. Use the 50-pin connector to attach the cable to the Adaptec SCSI card.
4. Place the cable over the video/PCI riser card crossbar. The cable should lay on top of the crossbar and on top of the card (loosely).
5. Place the cable between the rubber “bump” attached to the crossbar and the EMI gasket. Place the cable underneath the cable clamp.
6. Place the fold in the cable over the power supply.
7. Attach the end of the cable to the internal hard drive.

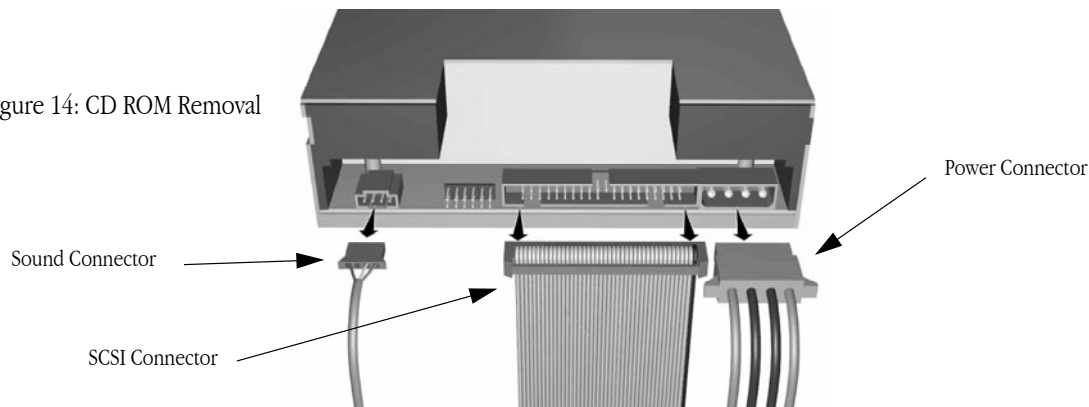


5.25-inch Drive Removal/Installation

Removing 5.25-inch Drives

1. Remove the chassis cover (refer to *Chassis Cover Removal/Installation* on page 6).
2. Disconnect all cables that are attached to the device being removed (see *Figure 14: CD ROM Removal* on page 22).

Figure 14: CD ROM Removal

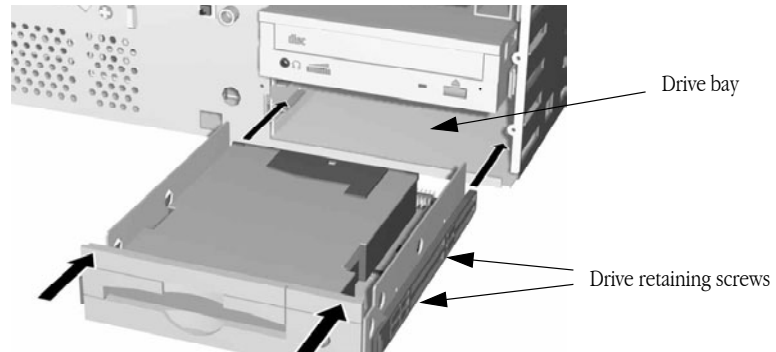


3. Remove the drive's retaining screws located on either side of the 5.25-inch drive bay.
4. Push the drive through the bay opening in the front and remove from the chassis.

Installing 5.25-inch Drives

1. Slide the drive half way into the front bay location, making sure the cable connections are facing the rear of the computer. Pushing the drive in only halfway makes cable connection easier by giving more maneuvering room behind the drive.
2. Connect the cables to the drive. Slide the drive in the rest of the way, making sure that the drive is flush with the front of the computer.
3. Secure the drive's retaining screws located on either side of the 5.25-inch drive bay.

Figure 15: Drive removal



4. Reset the CUDA (refer to **CUDA Reset** on page 4).
5. Install the chassis cover (refer to **Chassis Cover Removal/Installation** on page 6).



Floppy Disk Drive Removal/Installation

Removing the Floppy Disk Drive

1. Remove the chassis cover (refer to **Chassis Cover Removal/Installation** on page 6).
1. Remove the CPU card (refer to **CPU Removal/Installation** on page 11).
2. Remove the two screws securing the floppy disk bracket to the chassis.

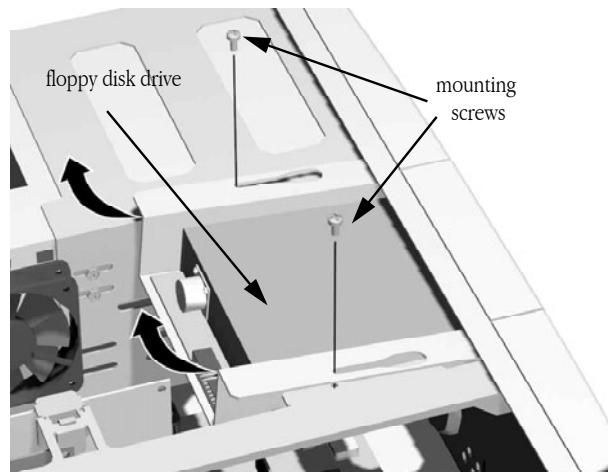


Figure 14: Floppy Disk Drive Removal

- 3.
4. Grasp the floppy disk drive bracket from the back and rotate it forward while sliding the drive backward and lifting it from the chassis.
5. Disconnect the floppy disk cable from the main logic board.
6. Remove the floppy drive from the floppy drive bracket.

Installing the Floppy Disk Drive

1. Mount the floppy disk drive to the mounting bracket.
2. Connect the floppy disk cable to the main logic board.
3. Mount the floppy disk drive in the drive bay by lowering the front of the floppy disk drive down and into position in the chassis. Move the floppy disk drive forward and align the drive with the bay opening on the chassis.
4. Screw the floppy disk drive brackets to the chassis.
5. Reinstall the CPU card (refer to *CPU Removal/Installation* on page 11).
6. Reset the CUDA (refer to *CUDA Reset* on page 4).
7. Install the chassis cover (refer to *Chassis Cover Removal/Installation* on page 6).

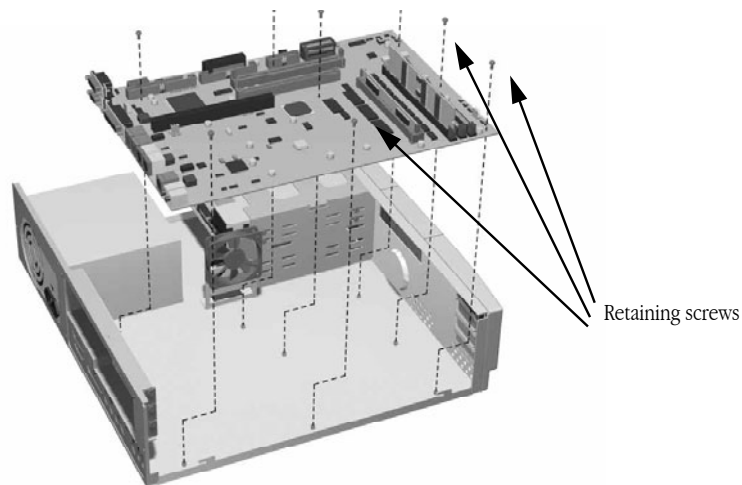


Removal/Installation of MLB

Removing the MLB (Main Logic Board)

1. Remove the chassis cover (refer to *Chassis Cover Removal/Installation* on page 6).
2. Remove the CPU card (refer to *Removing the CPU* on page 11).
3. Remove the floppy disk drive (refer to *Floppy Disk Drive Removal/Installation* on page 24).
4. Remove the cache card (refer to *Removing the Cache* on page 13).
5. Remove the Adaptec SCSI card (refer to *Adaptec SCSI Card Removal/Installation* on page 19).
6. Remove the PCI card(s) (refer to *Removing PCI Cards* on page 14).
7. Remove the PCI Riser card (refer to *PCI Riser Card Removal/Installation* on page 17).
8. Remove the RAM (refer to *RAM Removal/Installation* on page 9).
9. Disconnect the cables attached to the MLB. Disconnect the power cable by pressing the retaining clip facing the front of the computer, then pulling straight up. Disconnect all other cables by pulling them straight up from their sockets.
10. Remove the eight screws that secure the logic board to the chassis.
11. Disconnect the plastic cover over the speaker wire, NDI restart and power LED on the left side of the front of the chassis.
12. Lift up the edge of the MLB closest to the bezel and lift the MLB out of the chassis at an angle.

Figure 16: Main logic board removal



Installing the MLB

1. Lower the MLB into the chassis at an angle. Lay the board flat and align the mounting holes with the posts.
2. Replace the eight screws that secure the MLB to the chassis.
3. Reconnect the plastic cover covering the speaker wire, NDI restart and power LED on the left side of the front of the chassis.
4. Reconnect the cables attached to the MLB. Connect the power cable by pressing the retaining clip facing the front of the computer, then pressing down. Plug all remaining cables straight onto their connectors.

Note: If the cable does not have a directional connector, then connect it with the label on the cable connector facing the rear of the computer.

5. Install the RAM (refer to *RAM Removal/Installation* on page 9).
6. Install the PCI Riser card (refer to *PCI Riser Card Removal/Installation* on page 17).
7. Install the PCI card(s) (refer to *Installing PCI Cards* on page 14).
8. Install the Adaptec SCSI card (refer to *Adaptec SCSI Card Removal/Installation* on page 19).
9. Install the Cache card (refer to *Installing the Cache* on page 13).
10. Install the floppy disk drive (refer to *Floppy Disk Drive Removal/Installation* on page 24).
11. Install the CPU (refer to *Installing the CPU* on page 11).
12. Reset the CUDA (refer to *CUDA Reset* on page 4).
13. Install the chassis cover. (refer to *Chassis Cover Removal/Installation* on page 6).



Removal/Installation of Power Supply

Removing the Power Supply

1. Remove the chassis cover (refer to *Chassis Cover Removal/Installation* on page 6).
2. Disconnect the logic board power connector from the MLB. The connectors will have red, white, blue, and black wires coming out of them that lead back to the power supply (refer to *MLB Diagram* on page 5). Disconnect the power cable by pressing in on the retaining clip and pulling straight up.
3. Remove the power connectors from all internal SCSI devices. These connectors are approximately one inch long with translucent white plugs with black, blue, yellow, red, and orange wires which lead back to the power supply.
4. Remove the three chassis retaining screws that hold the power supply in place. These screws are located on the outside rear of the computer, surrounding the power supply cooling fan.
 - the first screw is located above and to the left of the fan.
 - the second screw is located below and to the left of the fan.
 - the third screw is located above and to the right of the fan.

CAUTION! Do not remove any screws unless you are sure that they are chassis retaining screws. There are retaining screws that hold the power supply components together as well. These screws must not be removed.

5. Pull the power supply directly up and out of the chassis.

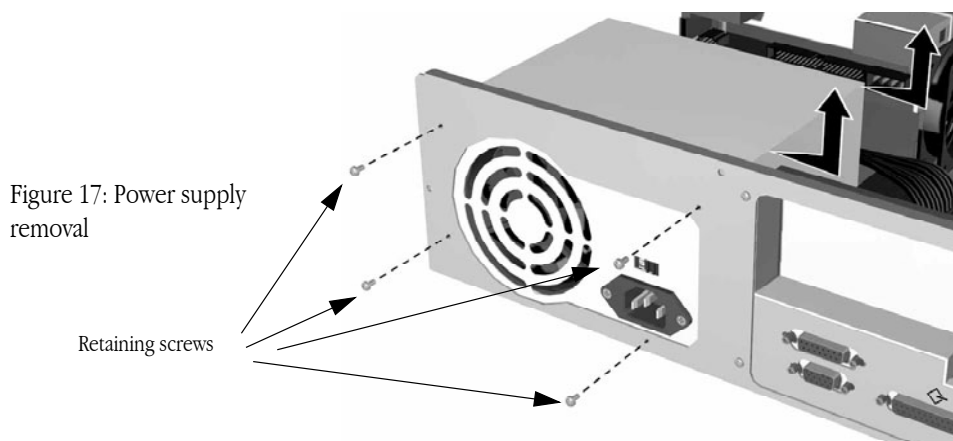


Figure 17: Power supply removal

Retaining screws

Installing Power Supply

1. Slide the power supply into place, making sure that it is seated properly.
2. Secure the power supply with the three retaining screws on the back of the chassis.
 - the first screw is located above and to the left of the fan.
 - the second screw is located below and to the left of the fan.
 - the third screw is located above and to the right of the fan.
3. Connect the power connectors to all internal SCSI devices.
4. Connect the logic board power connector to the MLB.
5. Reset the CUDA. (refer to **CUDA Reset** on page 4).
6. Install the chassis cover (refer to **Chassis Cover Removal/Installation** on page 6).

This module was written and designed by:
Michael Scott Clay.

Additional contributions by:
Shane Nestle
Jeff Pryor

Edited by
Mark Wood
Laurie Veatch

This Power Computing module was written, edited and produced on a desktop publishing system using Power Computing system that use the Mac OS.

Every effort has been made to ensure that the information in the module is accurate. Power Computing is not responsible for printing or clerical errors.

Mention of third-party products is for informational purposes only and constitutes neither an endorsement nor a recommendation. Power Computing no responsibility with regard to the performance or use of these products.



© 1997 Power Computing Corporation

Power Computing Corporation
2400 S. IH-35
Round Rock, Texas 78681-7903