



DE LOREAN MOTOR COMPANY

SERVICE BULLETIN

NUMBER ST-25-10/81

CATEGORY: TECHNICAL

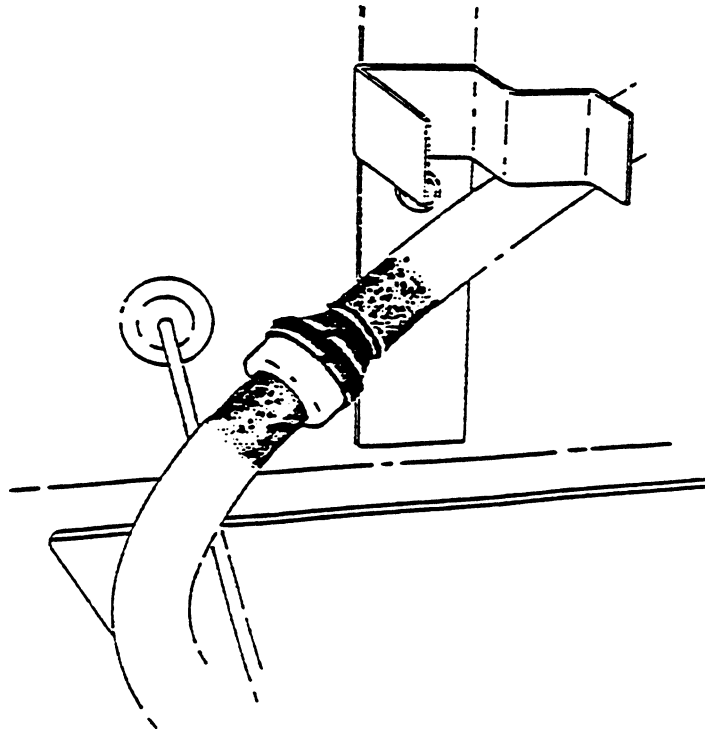
ATTENTION: ALL DMC DEALERS/SERVICE MANAGERS

SUBJECT: HEATER/AIR CONDITIONING MODE SWITCH OPERATION

If the heater/air conditioning mode switch fails to operate, first check that the vacuum check valve is fitted correctly.

The black and white plastic valve is fitted into the vacuum line between the vacuum reservoir and engine and is to be found towards the left front of the engine compartment.

When correctly fitted, the black side of the valve faces towards the engine.



Please inform all personnel accordingly.

Lutz Feuerabendt
Technical Service Manager

LF:mc

Issued 10/26/81