



DE LOREAN MOTOR COMPANY

SERVICE BULLETIN

NUMBER ST-15-10/81

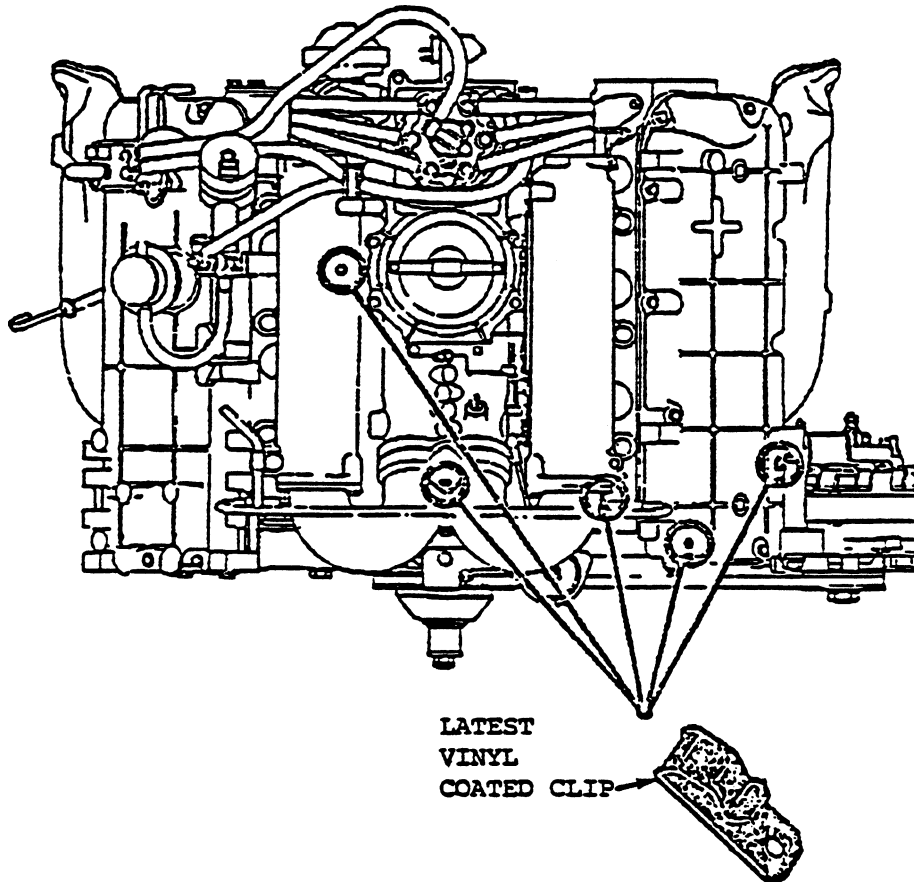
CATEGORY: TECHNICAL

ATTENTION: ALL DMC DEALERS/SERVICE MANAGERS

SUBJECT: WIRING HARNESS CLIPS PART NO. 106731

To improve wire harness routing/fastening, the five metal clips used to route the engine harness have been redesigned.

Vehicles found in service with the earlier type clips should be reworked using the latest vinyl coated type clips. The latest clips were introduced intermediately in production from VIN 1201.



Continued...

Issued 10/16/81

ST-15-10/81

Page 2

Reimbursement

Submit DMC Service Transaction (General) Using:

Transaction Code: 20 (Warranty Claims)
Component Code: 37006
Labor Operation: AT000, Time .25
Parts Number: W-200001, Quantity 1, \$2.92 = (5 clips, #106731)

Lutz Feuerabendt
Technical Service Manager

LF:mc