



DELOREAN MOTOR CARS OF AMERICA  
Division of DeLorean Motor Company

# SERVICE BULLETIN

NUMBER ST-06-9/82

ISSUED 9/17/82

CATEGORY: TECHNICAL  
ATTENTION: ALL DMC DEALERS/SERVICE MANAGERS  
SUBJECT: TEMPORARY WIRING MODIFICATION - FAN FAIL  
MODULE

Reports have been received that a number of fan fail modules have become defective which renders the engine cooling fans inoperative. Upon preliminary investigation, a manufacturing defect has been discovered in some modules. While further investigations are being conducted with the manufacturer to determine the exact origin of this problem, we recommend the vehicle be kept mobile with the use of a link wire assembly if this condition is encountered.

Use of this link wire assembly will bypass the fan fail warning light function of this system thus leaving the engine temperature gauge as the only means of indicating an engine overheating condition.

It is important to positively determine that the fan fail module is defective prior to installing this link wire assembly. A check should be made on the cooling fans to ensure they have not seized. The entire engine cooling fan circuit and components must also be checked for continuity and operation with special attention to all connections (Figure 1).

**IMPORTANT:**

Owners must be advised that this temporary modification has been performed, the fan fail light is inoperative and that the engine temperature gauge should be routinely monitored.

Continued

### Installation

- 1) Gain access to the relay panel under the parcel shelf behind the passenger's seat.
- 2) Locate and remove the blue fan fail module as indicated in Figure 2.
- 3) Firmly install the link wire assembly into the appropriate cavities of the fan fail module plug of the relay panel as indicated in Figure 3.

### Reimbursement

Submit DMC Service Transaction (General) using:

Transaction Code:	20 (Warranty Claim)
Component Code:	37414
Malfunction Code:	30
Labor Operation:	37403
Labor Time Allowance:	.2 hr.
Part Number:	113189 - Link Wire Assembly

Please inform all personnel concerned.

J. J. Patro  
Technical Publications Manager

JJP/psg

Attachment

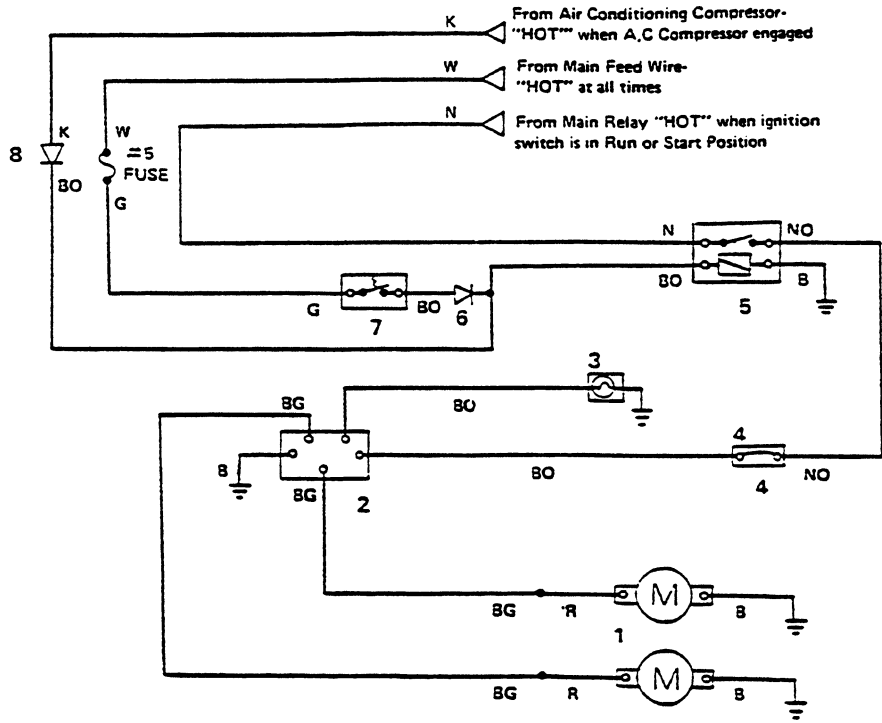


fig 1 COOLING FAN CIRCUIT

- |                   |                   |                           |                        |
|-------------------|-------------------|---------------------------|------------------------|
| K = PINK          | R = RED           | 1 - Cooling Fans          | 5 - Fan relay          |
| W = WHITE         | NO = BROWN/ORANGE | 2 - Fan fail module       | 6 - Cooling Fan Diode  |
| N = BROWN         | B = BLACK         | 3 - Fan fail warning lamp | 7 - Temperature switch |
| G = GREEN         | BG = BLACK/GREEN  | 4 - Circuit breaker       | 8 - A,C Diode          |
| BO = BLACK/ORANGE |                   |                           |                        |

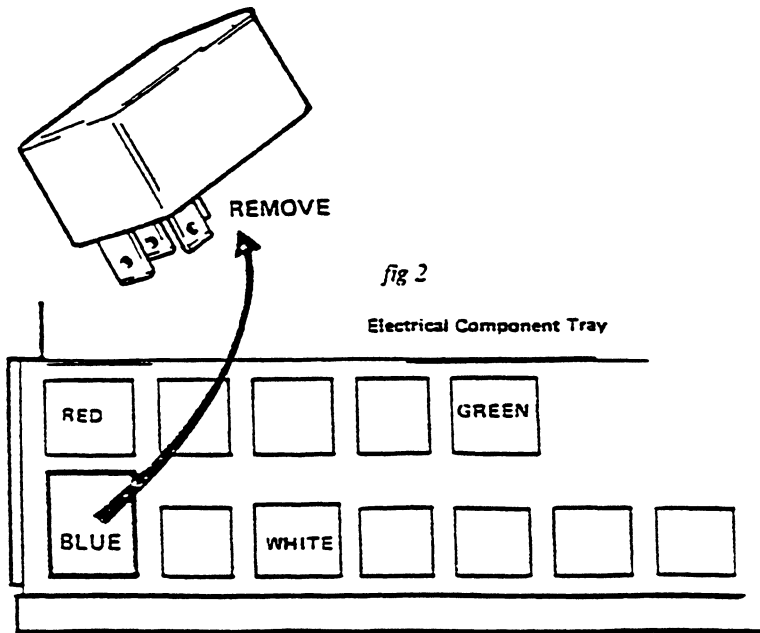


fig 2

Electrical Component Tray

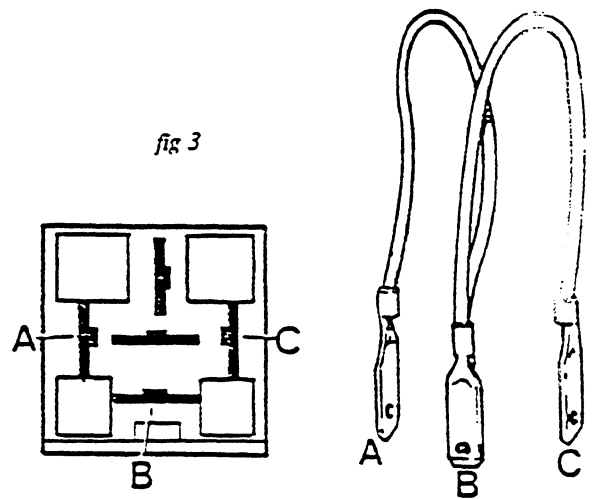


fig 3