

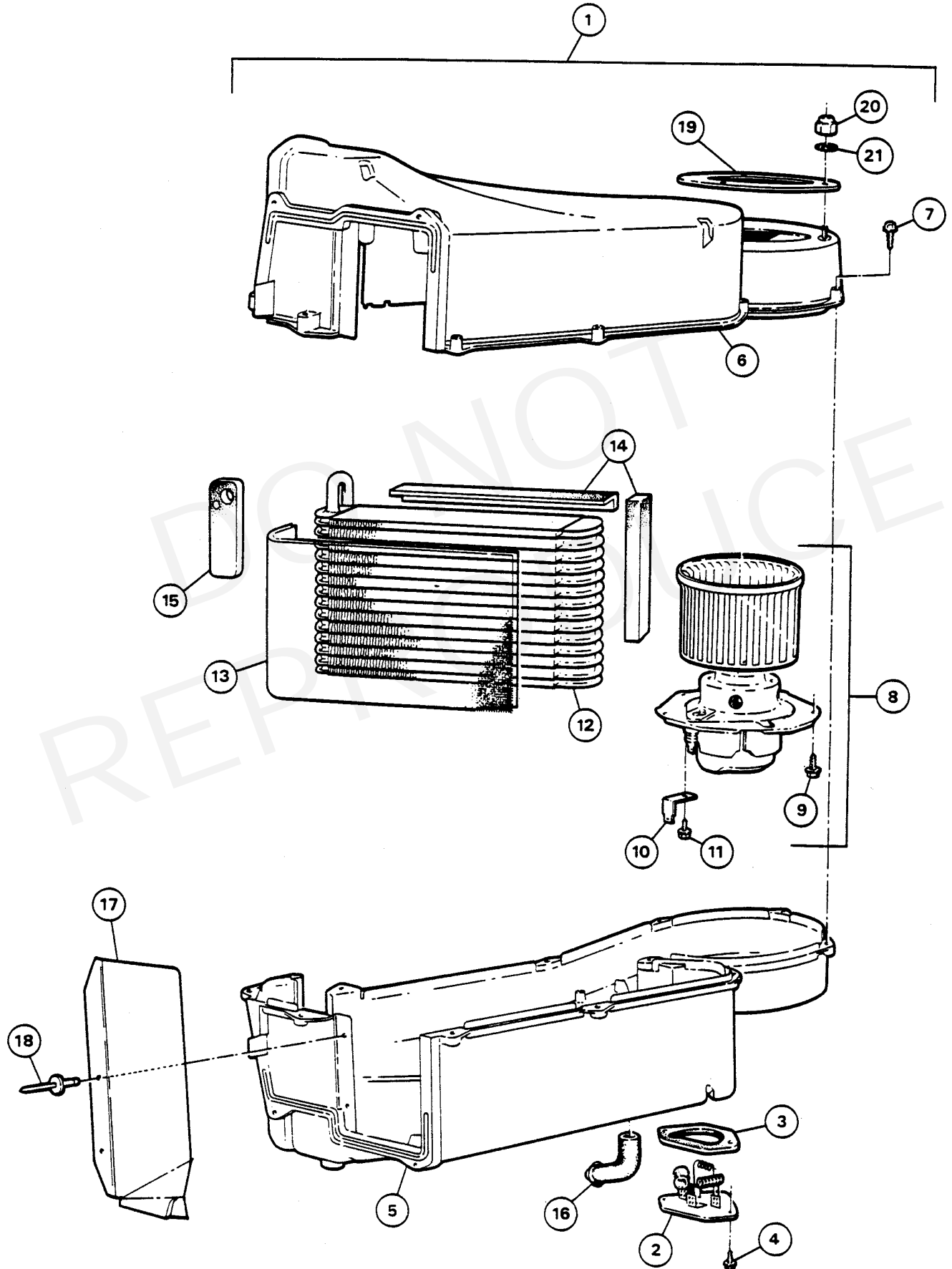
Heating/Air Conditioning

SECTION		AIR CONDITIONING UNIT		
SUBSECTION		EVAPORATOR		
7	1	0	GROUP	
FIG.	PART NUMBER	DESCRIPTION	QTY	REMARKS
	100705	AIC UNIT	1	COMPRISES EVAPORATOR/BLOWER ASSY AND HEATER ASSY
1	109115	..EVAP/BLOWER ASSY	1	
2	101275	..RESISTORS	1	
3	109121	..GASKET	1	
4	*	..SCREW	2	
5	101270	..LOWER EVAP CASING	1	
6	101269	..UPPER EVAP CASING	1	
7	*	..SCREW	1	
8	101273	..MOTOR & FAN ASSY	1	
9	*	..SCREW	5	
10	109116	..TERMINAL	1	
11	*	..SCREW	1	
12	*	..EVAP CORE	1	SEE 7-2-0
13	109119	..FILTER	1	
14	109118	..CORE SEAL	1	
15	109117	..TUBE SEAL	1	
16	109125	..MOTOR COOLING TUBE	1	
17	109124	..BAFFLE	1	
18	-	..RIVET	3	
19	IO5221	SEAL	1	
20	SP10106	NYLOC NUT M55	3	
21	SP10117	LARGE WASHER M5	3	

* BULLETIN TO FOLLOW RE PART NUMBERS

AIR CONDITIONING UNIT
EVAPORATOR

SECTION
7
SUBSECTION
1
GROUP
0



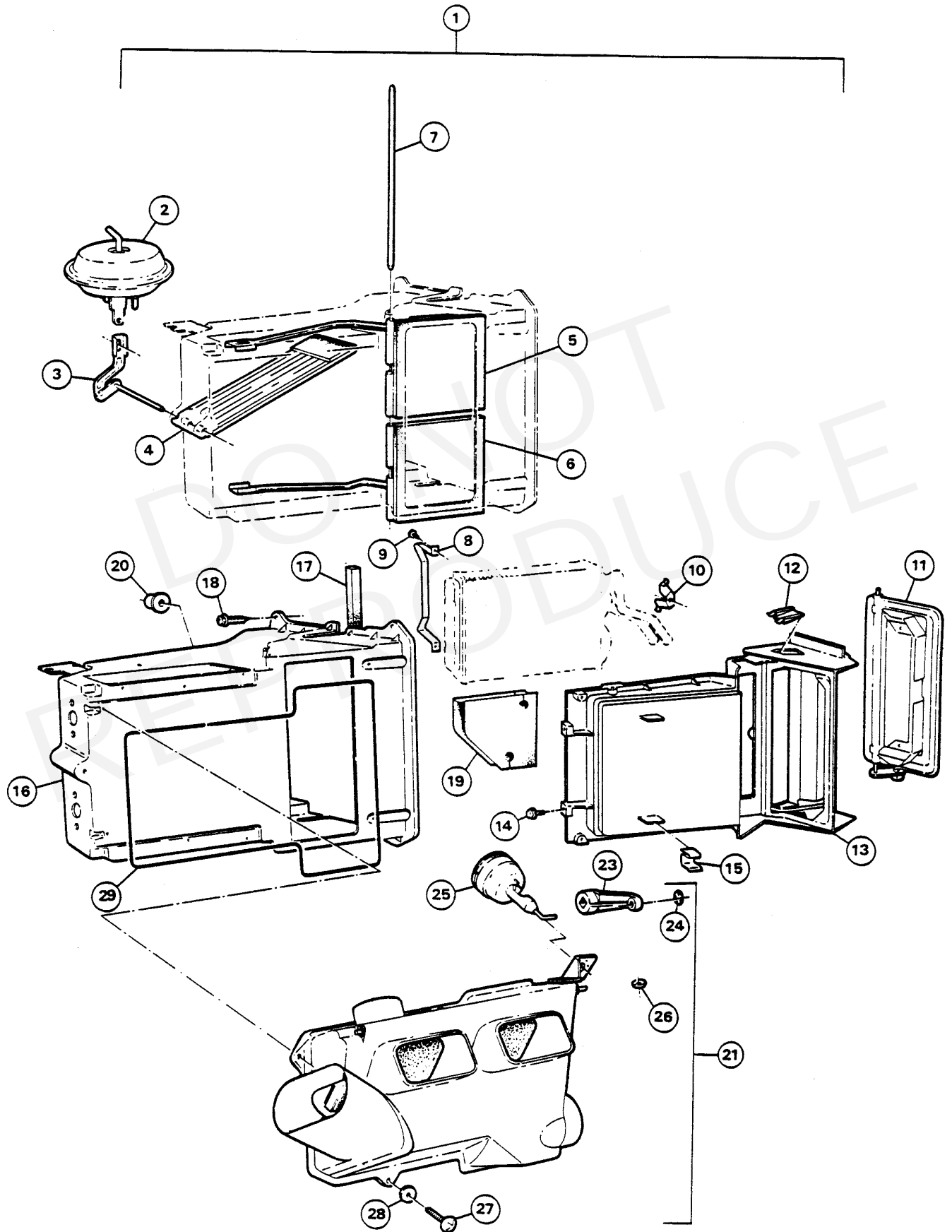
7-1-0-1-18-82

7		SECTION	AIR CONDITIONING UNIT	
1		SUBSECTION	HEATER	
1		GROUP		
FIG.	PART NUMBER	DESCRIPTION	QTY	REMARKS
		A/IC UNIT	1	SEE 7-1-0
1	109104	. HEATER ASSY	1	
2	101279	..ACTUATOR	3	
3	109106	..SHAFT, LEVER & LINK	1	
4	101278	..VALVE	1	
5	101277	..UPR VALVE & LINK	1	
6	109107	..LWR VALVE & LINK	1	
7	109112	..SHAFT	1	
8	109110	..STRAP	1	
9	*	..SCREW	2	
10	109109	..CLAMP	1	
11	101276	..VALVE & TRUNNION	1	
12	109108	..RET SHAFT CLIP	2	
13	109111	..TEMP VLV HOUSING	1	
14	*	..SCREW	2	
15	109113	..CLIP	1	
16	101268	..CASE	1	
17	109114	..SEAL	1	
18	*	..SCREW	4	
19	109103	..TUBE SEAL	1	
20	109105	..SPACER	1	
21	101367	AIC ADAPTOR ASSY	1	
23	105068	. LEVER	1	
24	SP10419	. SPIRE FIXING	1	
25	101752	. VACUUM ACTUATOR	1	
26	SP102S3	. POP RIVET WASHER	3	
27	SP10711	SCREW N8	2	
28	SP10503	LARGE WASHER M5	2	
29	108302	SEAL	1	

* BULLETIN TO FOLLOW RE PART NUMBERS

AIR CONDITIONING UNIT
HEATER

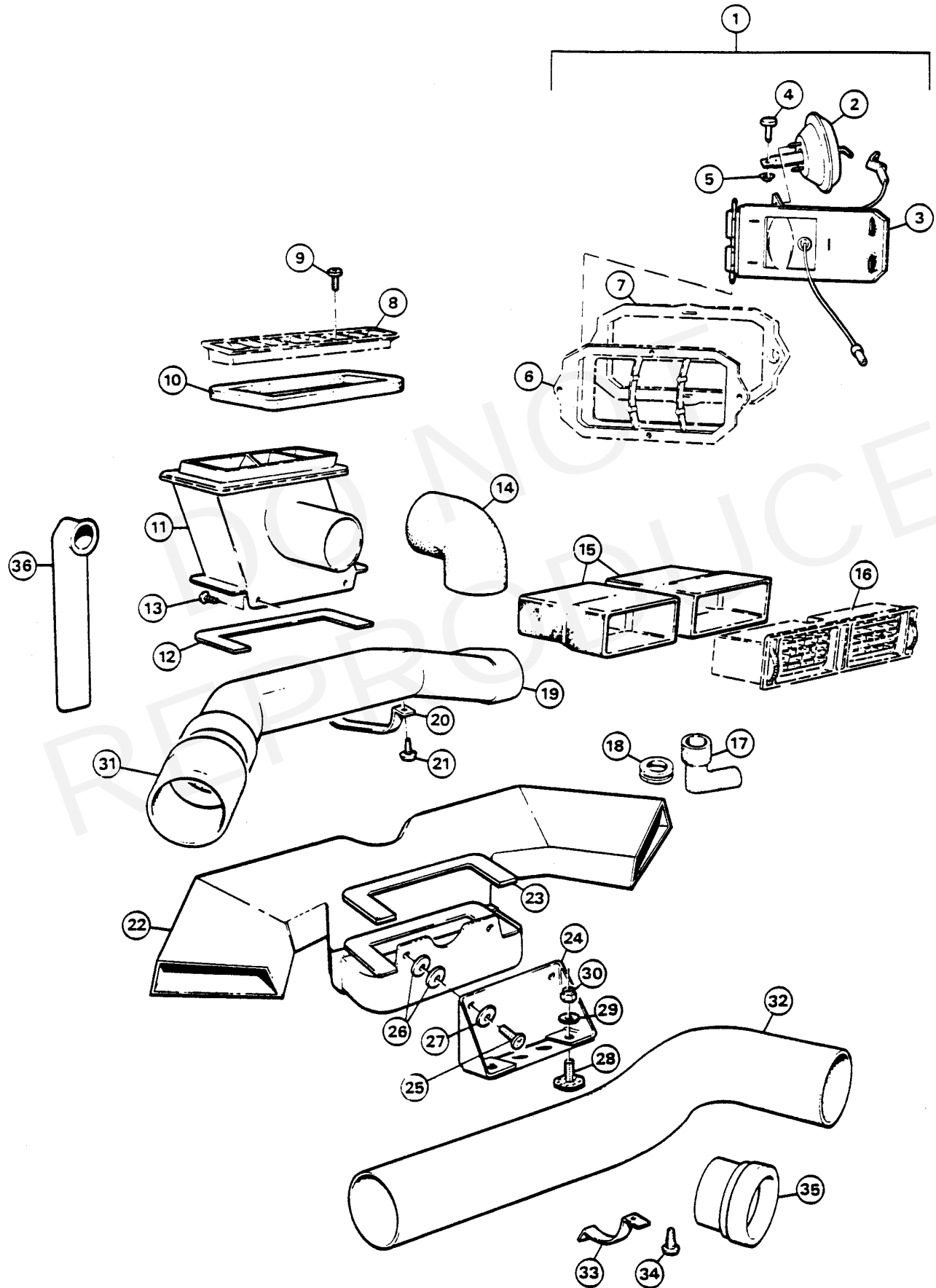
SECTION
7
SUBSECTION
1
GROUP
1



7-1-1-20-82

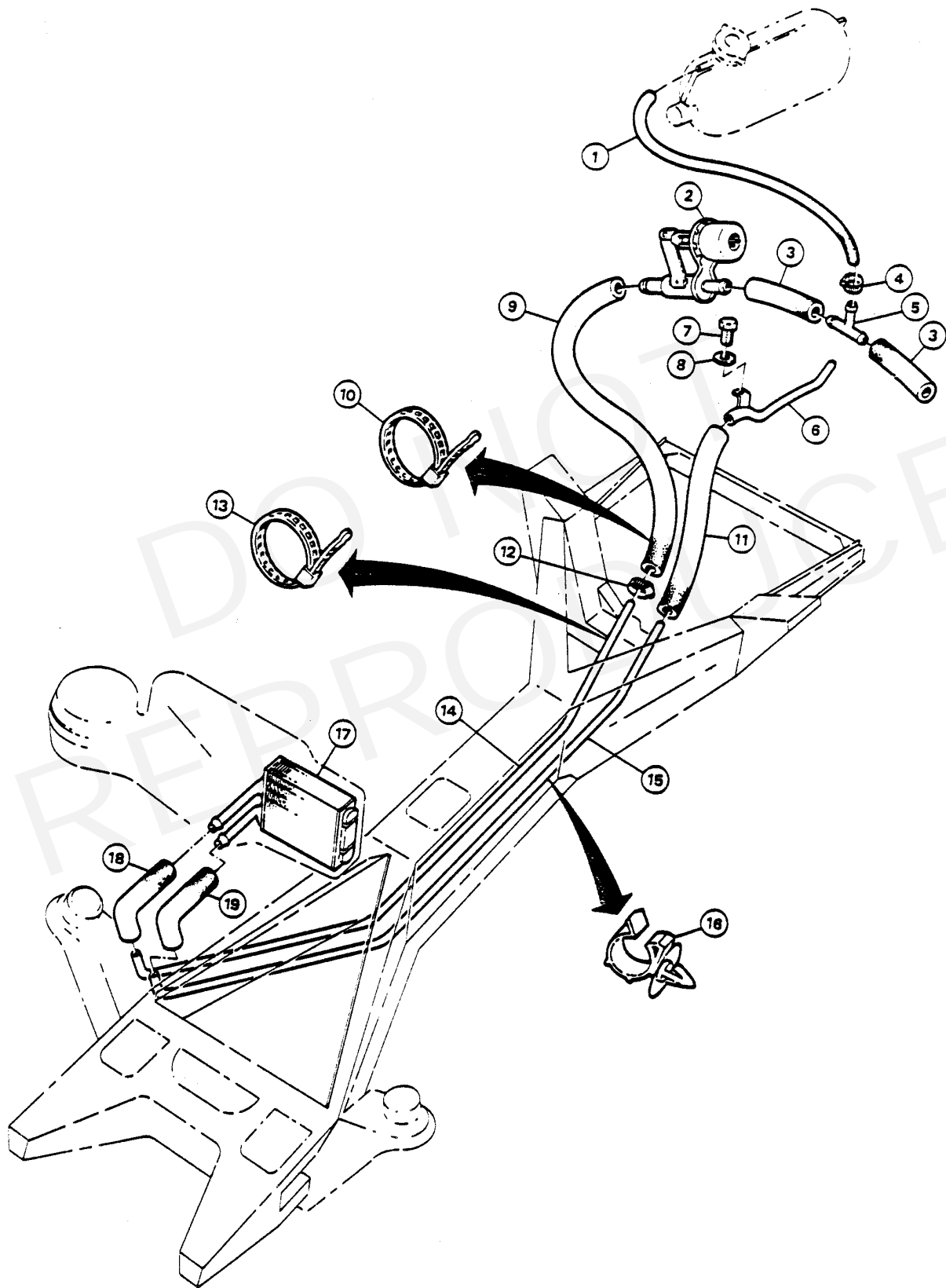
7	SECTION		AIR CONDITIONING UNIT	
	1	SUBSECTION	AIR DUCTING	
		2	GROUP	
FIG.	PART NUMBER	DESCRIPTION	QTY	REMARKS
1	I00745	AIR INLET ASSY	1	
2	109128	. ACTUATOR	1	
3	109130	. VALVE	1	
4	109127	. PIVOT	1	
5	*	. SPIRE FIXING	1	
6	109126	. FRAME	1	
7	109129	. GASKET	1	
8	I00762	SCREEN DEMIST VENT	3	
9	SP10465	SCREW N8	6	
10	105224	ADAPTOR UPPER SEAL	1	
11	110271	DEMIST ADAPTOR	1	
12	105223	ADAPTOR LOWER SEAL	1	
13	SP10135	N8 SCREW	2	
14	101460	DEMIST DUCT	1	
15	101697	HOSE	2	
16	100706	CENTRE CONSOLE VENT	1	
17	105909	DRAIN TUBE	1	
18	SP10389	GROMMET	1	
19	101379	DOOR DUCTING	1	
20	105212	SUPPORT BRACKET	1	
21	SP10431	SCREW N6	2	
22	100757	HEATER OUTLET	1	
23	105222	HEATER OUTLET SEAL	1	
24	105026	SUPPORT BRACKET	1	
25	SP10711	SCREW N8	2	
26	SP10507	LARGE WASHER M6	4	
27	SP10503	LARGE WASHER M6	2	
28	SP10811	BIG HEAD STUD M6	2	
29	SP10031	WASHER M6	2	
30	SP10024	NYLOC NUT M6	2	
31	106065	DOOR VENT DUCTING	2	
32	106056	DOOR VENT DUCTING	1	
33	105211	SUPPORT STRAP	2	
34	SP10432	SCREW N8	2	
35	105215	DOOR ADAPTOR	2	
36	101957	PLENUM DRAIN TUBE	1	

* BULLETIN TO FOLLOW RE PART NUMBER



7	SECTION	AIR CONDITIONING UNIT HEATING SYSTEM
	SUBSECTION	
	1 / 3 GROUP	

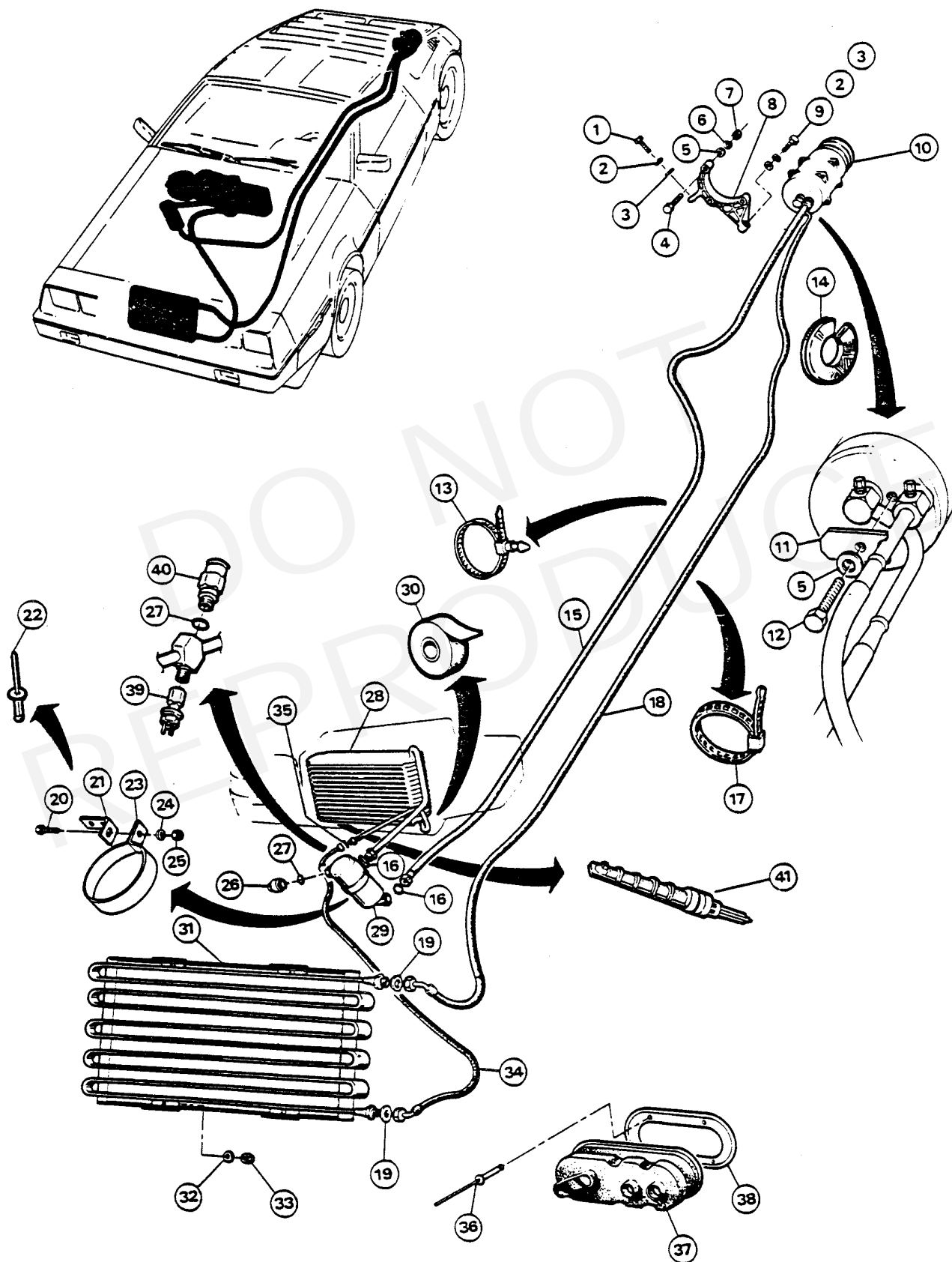
FIG.	PART NUMBER	DESCRIPTION	QTY	REMARKS
1	101760	BLEED HOSE	1	
2	100763	WATER VALVE	1	
3	101754	HEATER HOSE	2	
4	SP10348	HOSE CLIP	2	
5	106786	BLEED ADAPTOR	1	
6	102482	WATER RETURN PIPE	1	
7	104173	SCREW M7	1	
8	101048	WASHER M7	1	
9	101757	HEATER HOSE	1	
10	SP10841	PIPE STRAP	1	
11	101759	HEATER HOSE	1	
12	SP10849	HOSE CLIP	12	
13	SP10399	PIPE STRAP	1	
14	101755	TUBE, HEATER FEED	1	
15	101758	TUBE, HEATER RETURN	1	
16	SP10381	'P' CLIP	6	
17	101271	HEATER CORE	1	
18	108612	HOSE	1	
19	108613	HOSE	1	



SECTION		AIR CONDITIONING UNIT		
SUBSECTION		REFRIGERATIVE SYSTEM		
7	2/0	GROUP		
FIG.	PART NUMBER	DESCRIPTION	QTY	REMARKS
1	SP10001	SCREW M8	2	
2	SP10035	WASHER-SPRING M8	4	
3	SP10032	WASHER M8	4	
4	SP10779m	BOLT M10	6	
5	SP10033	WASHER M10	7	
6	SP10036	WASHER-SPRING M10	6	
7	SP10028,	NUT M10	6	
8	100718	BRACKET MOUNTING	2	
g	SP10782	BOLT M8	2	
10	100746	COMPRESSOR	1	
11	105845	CLAMP	1	
12	SP10446	3/8" UNF BOLT	1	
13	SP10382	PIPE STRAP	11	
14	SP10763	EDGE FINISHER	1	
15	100750	HOSE ACUML CMPR	1	COMPLETE WITH SPREADER VALVE
16	106869	. 'O' RING	1	
17	SP10841	CABLE TIE	1	
18	100748	HOSE OTLT LINE	1	COMPLETE WITH SPREADER VALVE
19	106868	. 'O' RING	1	
20	SP10015	SCREW M6	1	
21	106013	BRACKET	1	
22	SP10130	POP RIVETS	2	
23	106012	BRACKET-ACCUMULATOR	1	
24	SP10031	WASHER M6	1	
25	SP10024	NYLOC NUT M6	1	
26	100744	LOW PRESSURE SWITCH-I	1	
27	106867	'O' RING	2	
28	101272	EVAPORATOR	1	
29	100743	ACCUMULATOR	1	
16	106869	. 'O' RING	1	
30	106781	NO DRIP TAPE	AR	
31	106327	CONDENSER	1	
32Z	SP10117	WASHER-LARGE M5	4	
33	SP10106	NYLOC NUT M5	4	
34	106919	HOSE CNDSR EVAP	1	
19	106868	. 'O' RING	1	
35	106867	. 'O' RING	1	
17	SP10841	CABLE TIE	1	
36	SP10130	POP RIVET	4	
37	105847	GAITER	1	
38	105846	GAITER RET RING	1	
39	106917	HI PRESS CUT-OUT SW	1	
40	106918	PRESSURE RELIEF VLV	1	
41	109122	ORIFICE TUBE	1	

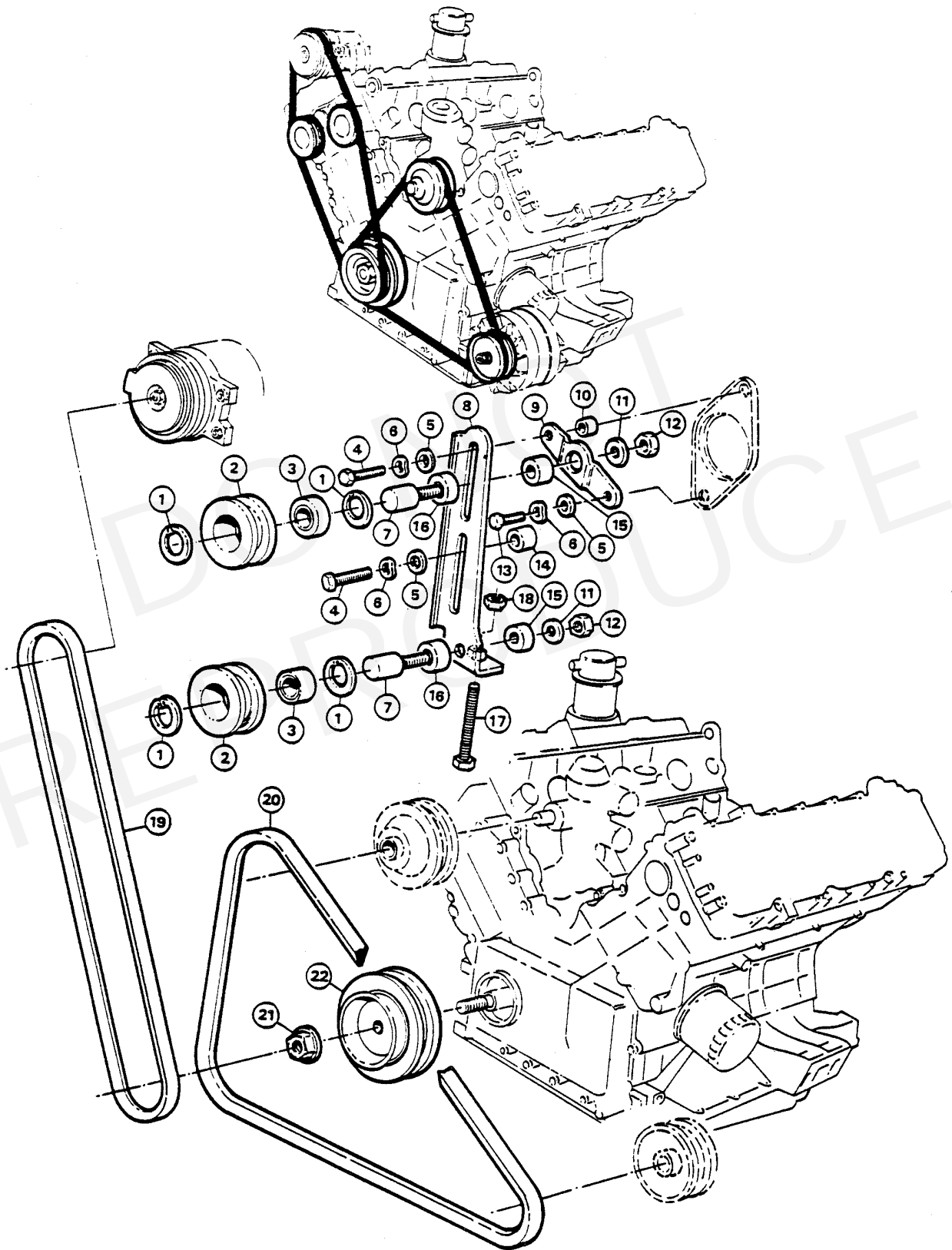
AIR CONDITIONING UNIT
REFRIGERATIVE SYSTEM

SECTION
7
SUBSECTION
2
GROUP
0



7	SECTION	AIR CONDITIONING UNIT PULLEYS/DRIVE BELTS
	SUBSECTION	
	GROUP	

FIG.	PART NUMBER	DESCRIPTION	QTY	REMARKS
1	SP10376	CIRCLIP-INTERNAL	4	
2	101463	PULLEY-ADJUSTER	2	
3	105638	BEARING	2	
4	SP10048	SCREW M7	2	
5	SP10849	WASHER M7	3	
6	101048	WASHER SPRING M7	3	
7	105470	PULLEY SPINDLE	2	
8	100772	PULLEY MOUNTING BRKT	1	
9	100773	PULLEY MOUNTING BRKT	1	
10	106161	SPACER	1	
11	SP10034	WASHER Mt2	2	
12	SP10806	LOCKNUT M12	2	
13	SP10445	SCREW M7	1	
14	106162	SPACER	1	
15	106257	REAR SPACER	2	
16	105471	SPACER	2	
17	SP10216	SCREW M8	1	
18	SP10037	NUT M8	1	
19	105505	DRIVE BELT	1	
20	102442	DRIVE BELT	1	
21	102474	CRKSFT PULLEY NUT	1	
22	102469	CRKSFT PULLEY	1	

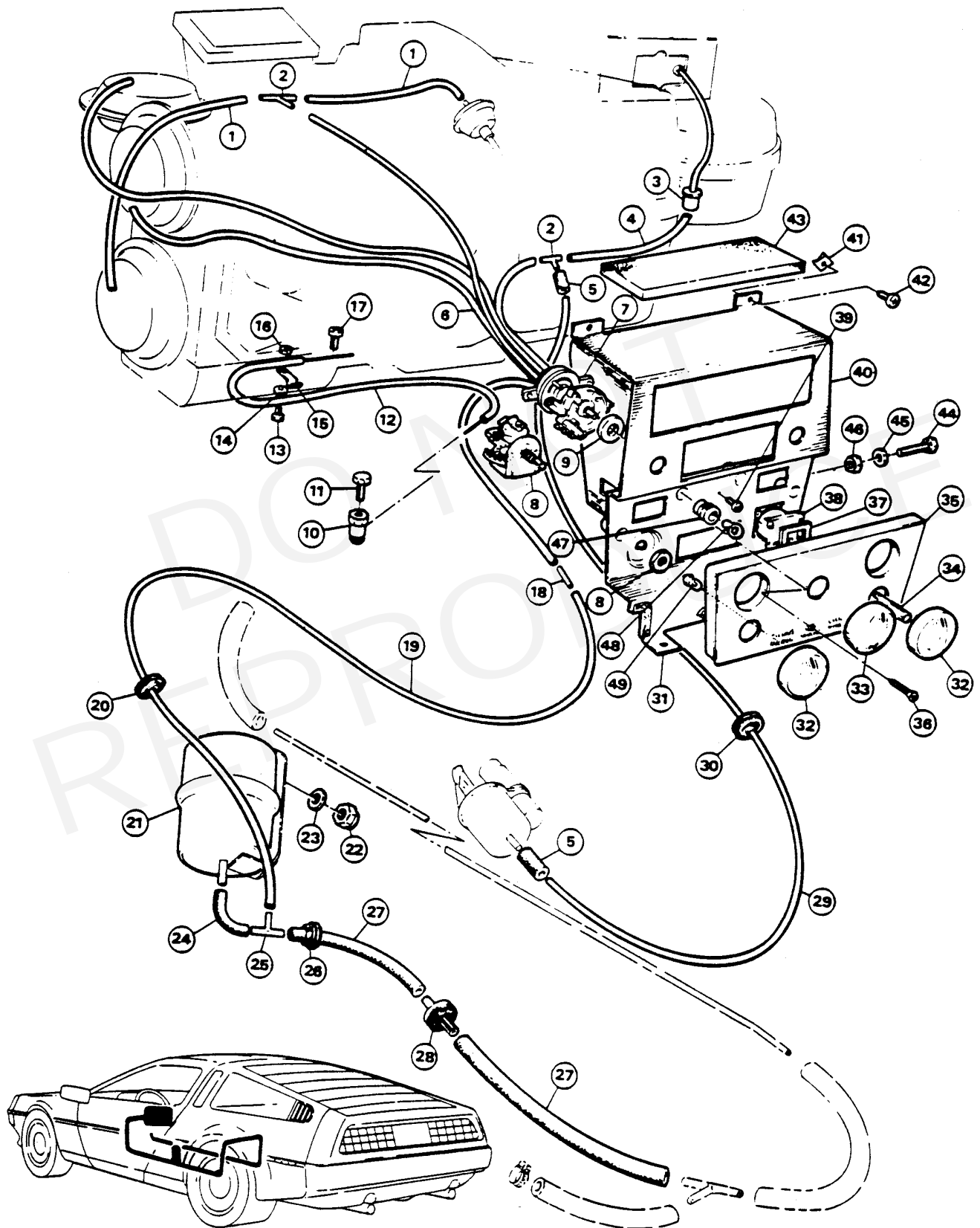


SECTION		AIR CONDITIONING UNIT		
SUBSECTION		ELECTRICAL/MECHANICAL CONTROLS		
7 3 0 GROUP				
FIG.	PART NUMBER	DESCRIPTION	QTY	REMARKS
1	106210	VACUUM HOSE	2	
2	105912	TEE-PIECE	2	
3	106212	STGHT REDUCING SOC	1	
4	106209	VACUVUM HOSE	1	
5	106211	CONNECTING SLEEVE	2	
6	105049	VACUUM HOSE	1	
7	100752	MODE CONTROL SWITCH	1	
8	100753	TEMPERATURE SWITCH ASSY	1	
9	108260	SPACER	1	
10	105911	TRUNNION	1	
11	SP10778	SCREW N8	1	
12	100754	HEATER CABLE	1	
13	SP10453	SCREW M4	1	
14	SP10254	WASHER SPRING M4	1	
15	105910	CABLE CLAMP	1	
16	SP10162	NUT M4	1	
17	SP10433	SCREW M3	1	
18	106782	STGHT REDUCING SOC	1	
19	106783	VACUUM PIPE	1	
20	106291	GROMMET	1	
21	100764	VACUUM RESERVOIR	1	
22	SP10177	5/16 UNF NYLOC NUT	2	
23	SP10032	WASHER M8	2	
24	106784	VACUUM HOSE ELBOW	1	
25	106787	TEE-PIECE	1	
26	SP10405	GROMMET	1	
27	106785	VACUUM HOSE	2	
28	106780	NON-RETURN VALVE	1	
29	101750	VACUUM PIPING	1	
30	SP10406	GROMMET	1	
31	108372	EDGING STRIP	3	
32	101360	TEMP SEL/SP KNOB	2	
33	101359	MODE CONTROL KNOB	1	
34	108484	SPINDLE	1	
35	105186	FASCIA PANEL	1	UP TO VIN 1963
	108920	FASCIA PANEL	1	FROM VIN 1964
36	SP10138	SCREW-COUNTERSUNK N4	1	
37	100984	SPACER-8LOWER SWITCH	1	
38	100755	FAN SPEED SWITCH	1	
39	SP10134	SCREW N4	1	
40	106639	RDO VENT & SW MT PLT	1	
41	SP10702	CAPTIVE NUT	2	
42	SP10133	SCREW N8	2	
43	108529	ENERGY ABSORBING PAD	1	

PARTS SHOWN IN PHANTOM—APPEAR IN 6-3-0

AIR CONDITIONING UNIT
ELECTRICAL/MECHANICAL CONTROLS

SECTION
7 3 0
SUBSECTION
GROUP



7-3-0-12-1-81

7	SECTION	AIR CONDITIONING UNIT ELECTRICAL/MECHANICAL CONTROLS
	SUBSECTION	
	3 / 0 GROUP	

FIG.	PART NUMBER	DESCRIPTION	QTY	REMARKS
44	SP10197	SCREW M4	1	PART OF MAIN HARNESS (SEE 3-7-3)
45	SP10251	WASHER M4	1	
46	SP10162	NUT M4	2	
47	106165	LIGHT TUBE	4	
48	SP10307	BULB	4	
49	SP10310	BULB		

DO NOT REPRODUCE

PARTS SHOWN IN PHANTOM – APPEAR IN 6-3-0

