

# Suspension/Steering

---

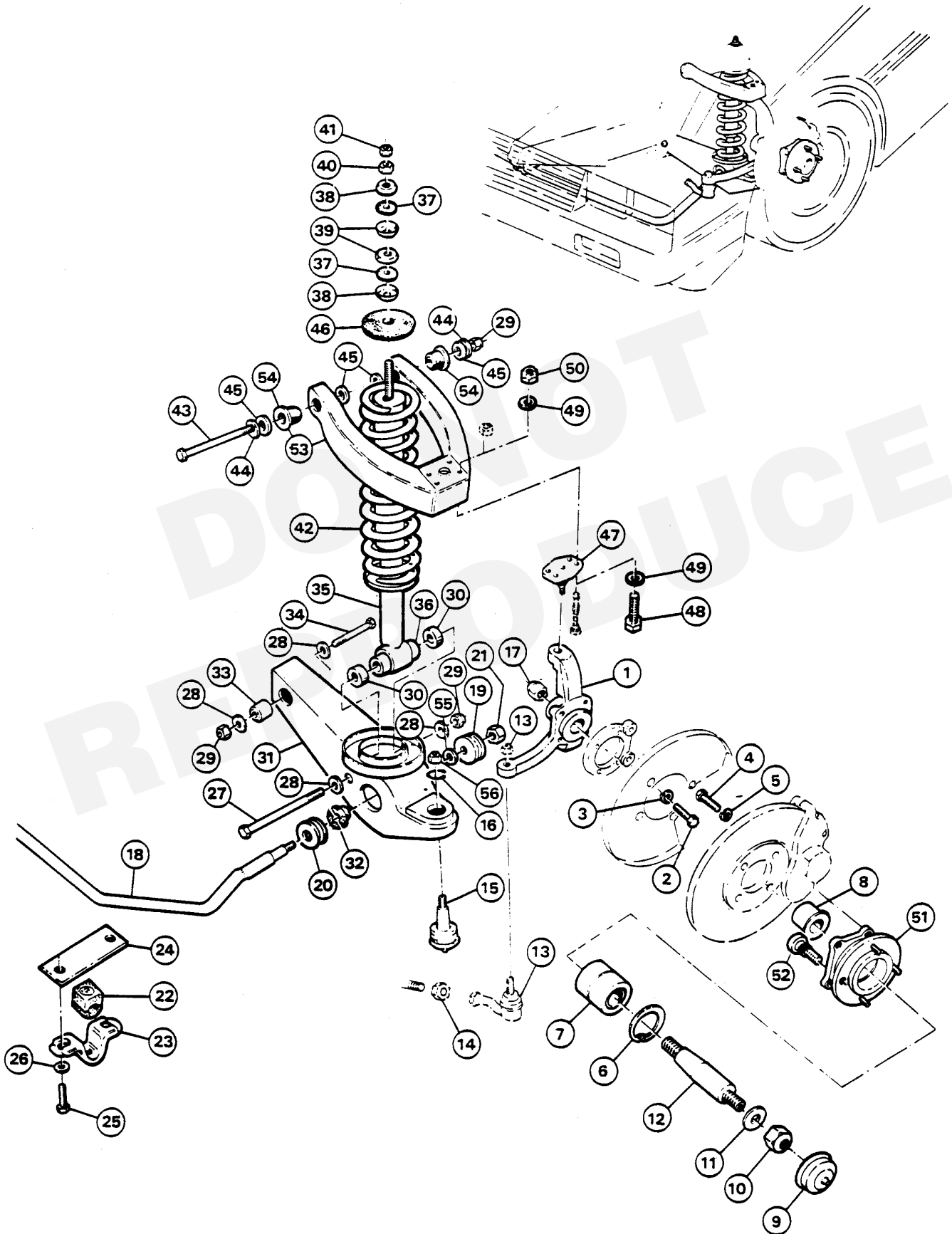
5	SECTION		SUSPENSION AND STEERING	
	1	SUBSECTION	FRONT SUSPENSION	
		0	GROUP	
FIG.	PART NUMBER	DESCRIPTION	QTY	REMARKS
1	100089	FRONT UPRIGHT LH	1	
	100090	FRONT UPRIGHT RH	1	
2	106180	BOLT	8	
3	SP10032	WASHER M8	8	
4	SP10219	SCREW M8	8	
5	SP10035	SPRING WASHER M8	8	
6	SP10052	CIRCLIP, INTERNAL	2	
7	100404	BEARING, FRONT WHEEL	2	
8	100025	SPACING SHIELD	2	
9	105104	DUST SHIELD	2	
10	108514	NUT, STUB AXLE	3	BOTH ENDS OF RH AXLE FRONT END ONLY OF LH AXLE
11	110580	WASHER SPECIAL	2	
12	100161	STUB AXLE LH	1	
	100162	STUB AXLE RH	1	
13		TRACK ROD END	2	SEE IN 5-2-0
14		NUT (TIE ROD)	2	SEE IN 5-2-0
15	109266	BALL JOINT, LOWER	2	
16	SP10391	CIRCLIP	2	
17	105027	NUT, SPEEDO DRIVE	1	LEFT HAND SIDE ONLY
18	100233	ANTI-ROLL BAR	1	(STABILIZER)
19	101591	WASHER, SNUB	2	12.5MM PLAIN BORE
20	101289	WASHER, SNUB	8	16MM BORE CHAMBERED
21	SPIW27	NUT, NYLOC M12	2	
22	108998	BUSH CLAMP	2	
23	100774	MOUNT ANTI-ROLL BAR	2	
24	106960	CLAMP SPACER	2	
25	SPI0018	SCREW M10	4	
26	SP10036	SPRING WASHER M10	4	
27	101341	BOLT	2	
28	SPI0058	WASHER 1/2" PLAIN	8	
29	SP10059	NUT, NYLOC 1/2" UNF	6	
30	100478	SPACER	4	
31	105177	LOWER LINK	2	
32	108912	BUSH, ANTI-ROLL BAR	4	2 HALVES PER SIDE
33	100154	BUSH	2	
34	IW477	BOLT	2	
35	108588	DAMPER, FRONT ASSY	2	OR 108587
36	109080	. BUSH, BONDED	4	
37	109081	. BUSH	4	
38	109082	. RETAINING WASHER	4	
39	109083	. CUP WASHER	4	
40	109084	. NUT	2	
41	109085	. LOCKNUT	2	
42	100413	COILSPRING FRONT	2	
43	100479	BOLT, WISHBONE PIVOT	2	

THE FRONT DISC IS SHOWN IN:  
SECTION 6 SUBSECTION 1 GROUP 0

NOTE: COMMENTS IN REMARKS COLUMN FOR FIGURES 10 AND 20, WHICH ARE RELATED ITEMS.

SUSPENSION AND STEERING  
FRONT SUSPENSION

SECTION  
5  
SUBSECTION  
1  
GROUP  
0



5-1-0-3-11-82

**5**

SECTION

SUBSECTION

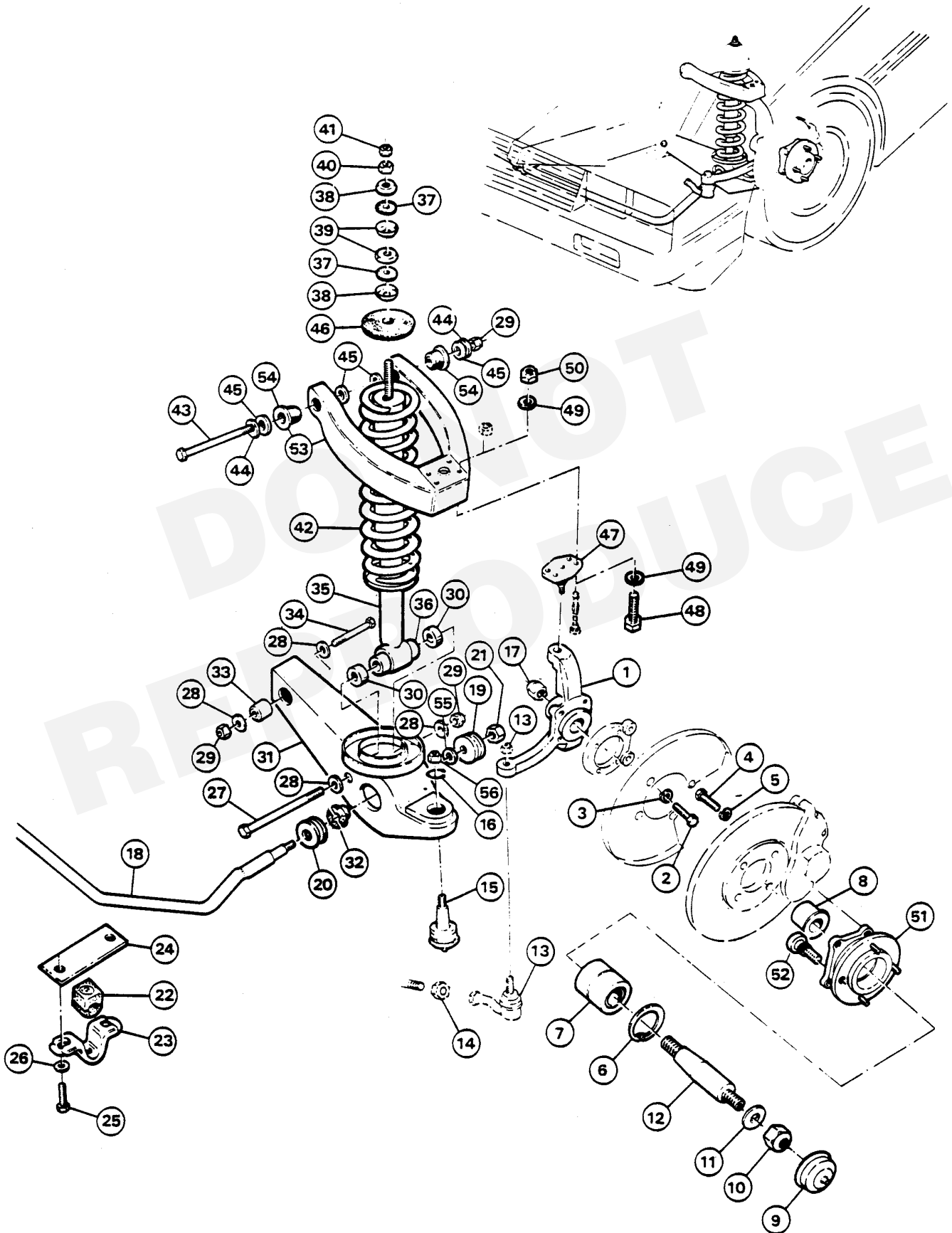
**1** / **0** GROUPSUSPENSION AND STEERING  
FRONT SUSPENSION

FIG.	PART NUMBER	DESCRIPTION	QTY	REMARKS
44	100480	SNUBWASHER	8	
45	SP10505	WASHER 1/2" LARGE	4	
46	100286	ISOLATOR, SPRING	2	
47	109271	BALLJOINT, UPPER	2	
48	SP10822	SCREW M6	8	
49	SP10031	WASHER M6	16	
50	SP10819	NUT, NYLOC M6	8	
51	100400	FRONT HUB ASSY	2	INCLUDES STUDS
52	106117	. WHEEL STUD	8	
53	106940	WISHBONE/BUSH ASSY	2	
54	100156	. BUSH, WISHBONE	4	
55	108636	SNUBBER WASHER	4	
56	SP10877	SLOTTED NUT	4	

5-1-0-10-9-81

SUSPENSION AND STEERING  
FRONT SUSPENSION

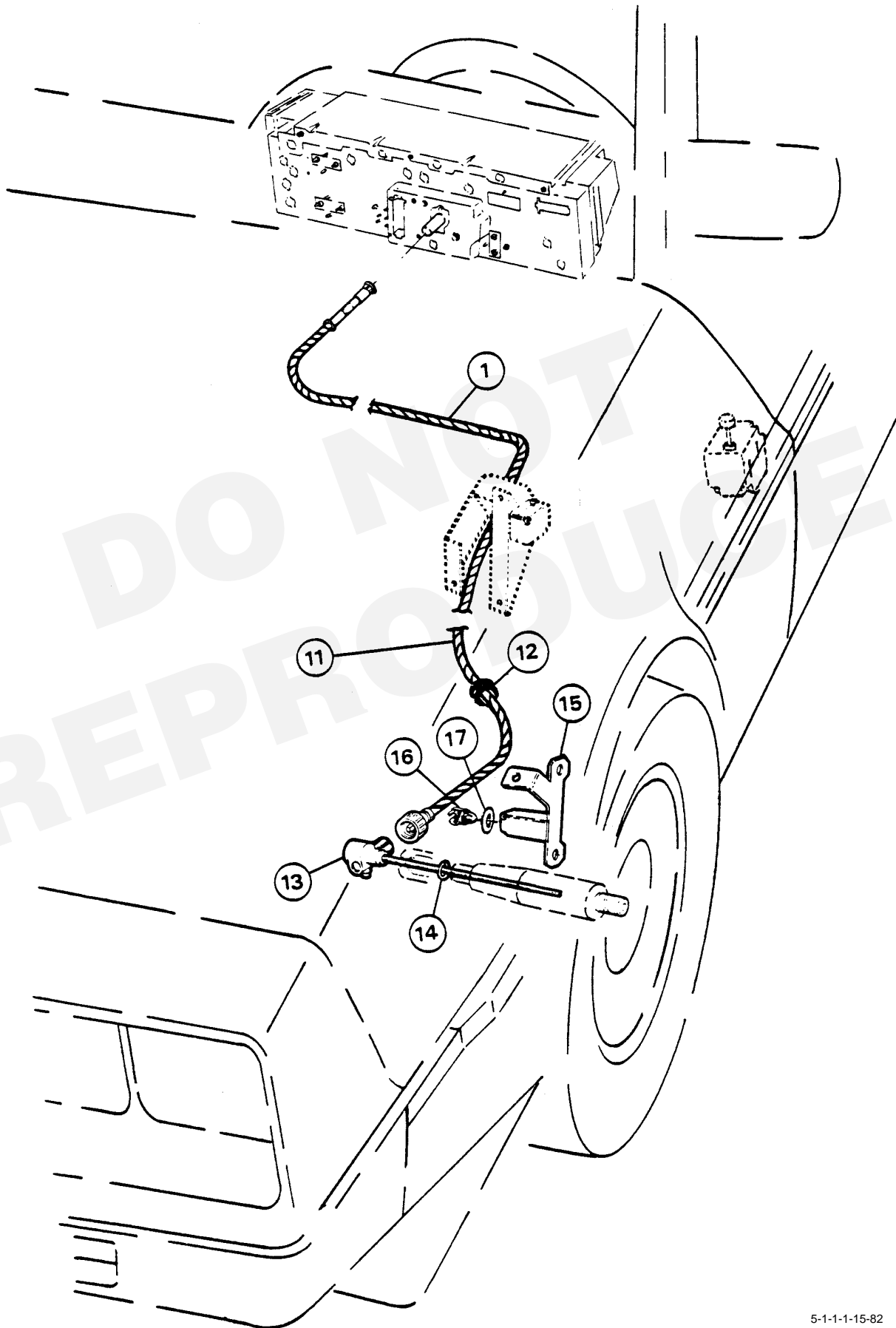
SECTION  
5  
SUBSECTION  
1  
0 GROUP



<b>5</b>	SECTION	SPEEDOMETER DRIVE
	SUBSECTION	
	GROUP	

FIG.	PART NUMBER	DESCRIPTION	QTY	REMARKS
1	101604	SPEEDO CABLE UPPER	1	
11	101412	SPEEDO CABLE LOWER	1	UP TO VIN 5178 FROM VIN 5179
	111412	SPEEDO CABLE LOWER	1	
12	106291	GROMMET	1	
13	106130	SPEEDO RH ANGLE DR	1	
14	106938	SPEEDO DR RET RING	1	
15	106646	PIPE AND CABLE BRKT	1	
16	SP10396	. PIPE CLIP	1	
17	SP10032	. WASHER M8	1	

DO NOT REPRODUCE



DO NOT REPRODUCE

**5**

SECTION

SUBSECTION

**2** / **0** GROUPSUSPENSION AND STEERING  
STEERING RACK ASSEMBLY

FIG.	PART NUMBER	DESCRIPTION	QTY	REMARKS
1	100345	RACK ASSEMBLY	1	UP TO VIN 1750
	108754	RACK ASSEMBLY	1	FROM VIN 1751
2	109073	NUT	2	
3	109058	HOSE CLAMP OUTER	2	
4	109062	BELLOWS RH		
5	109060	HOSE CLAMP INNER RH		
6	109059	HOSE CLAMP INNER LH		
7	109061	BELLOWS LH		
8	109071	TRACK ROD END	2	ALSO IN 5-1-0
9	110089	MOUNTING ASSY LH		
10	SP10623	WASHER M8	4	
11	SPIW25	NUT, M8 NYLOC	4	
12	110078	MOUNTING ASSY RH		

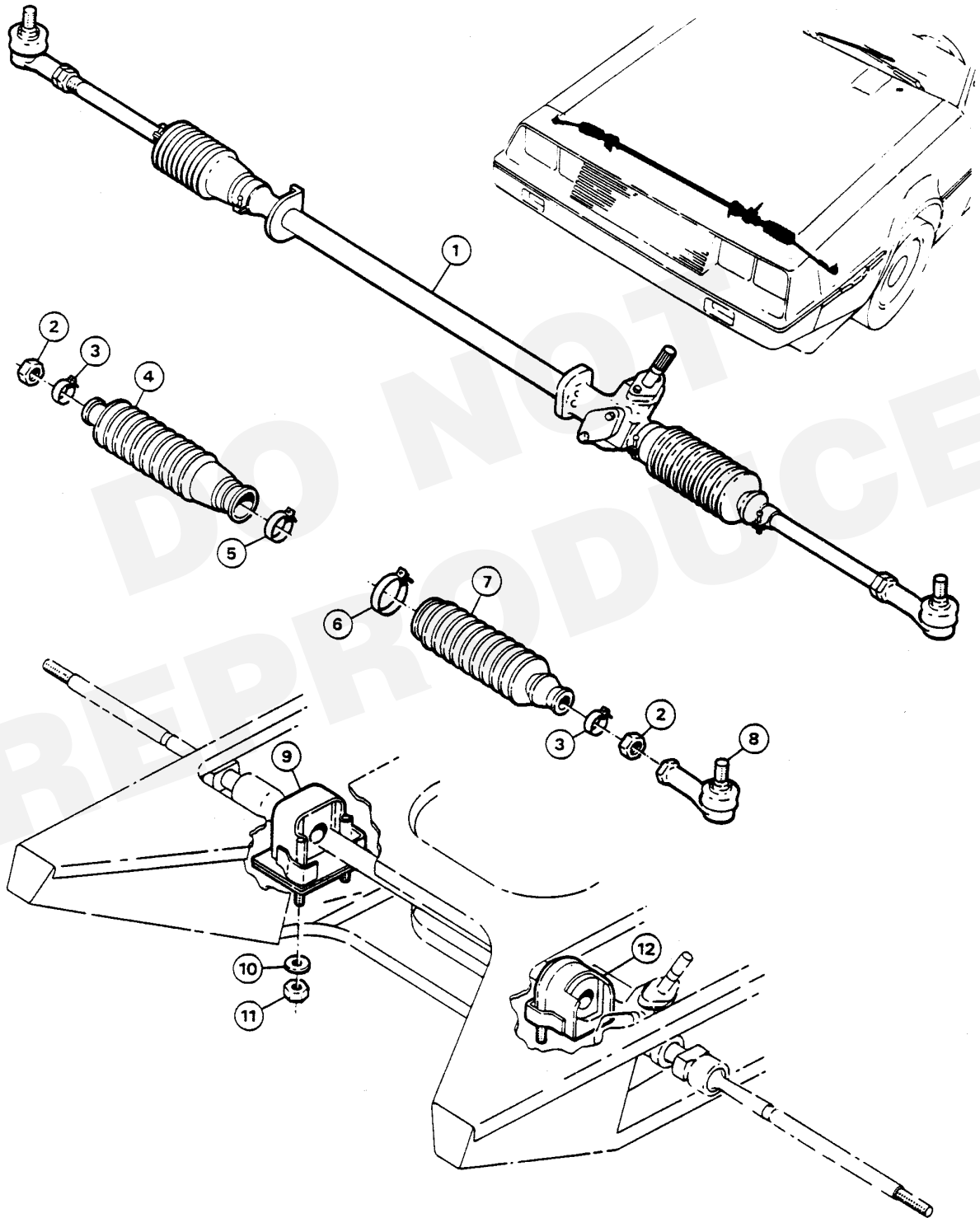
**NOTE: RACK ASSEMBLY IS INTERCHANGEABLE**

5-2-0-11-6-81



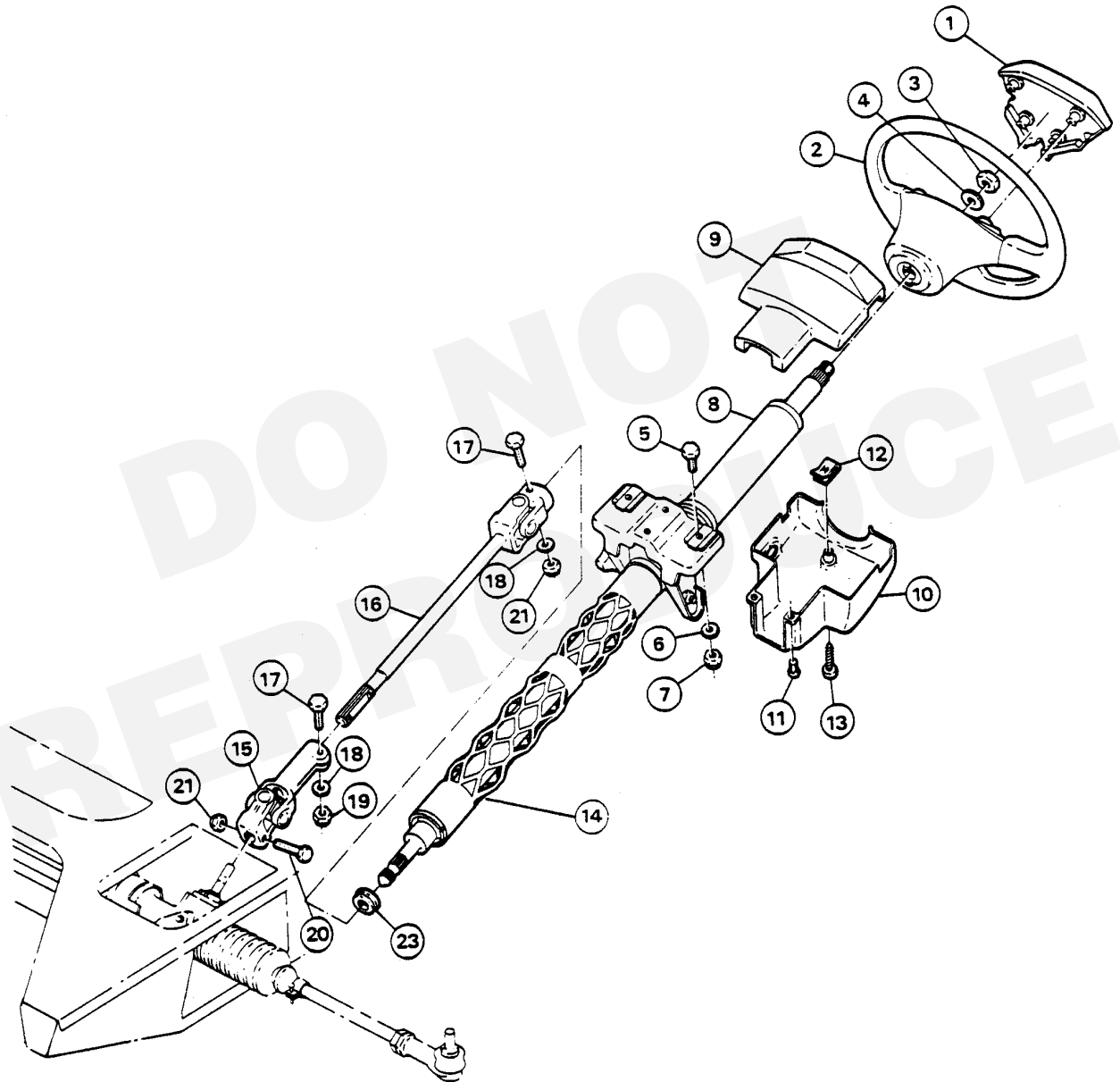
SUSPENSION AND STEERING  
STEERING RACK ASSEMBLY

SECTION  
5  
SUBSECTION  
2  
GROUP  
0



5-2-0-11-6-81

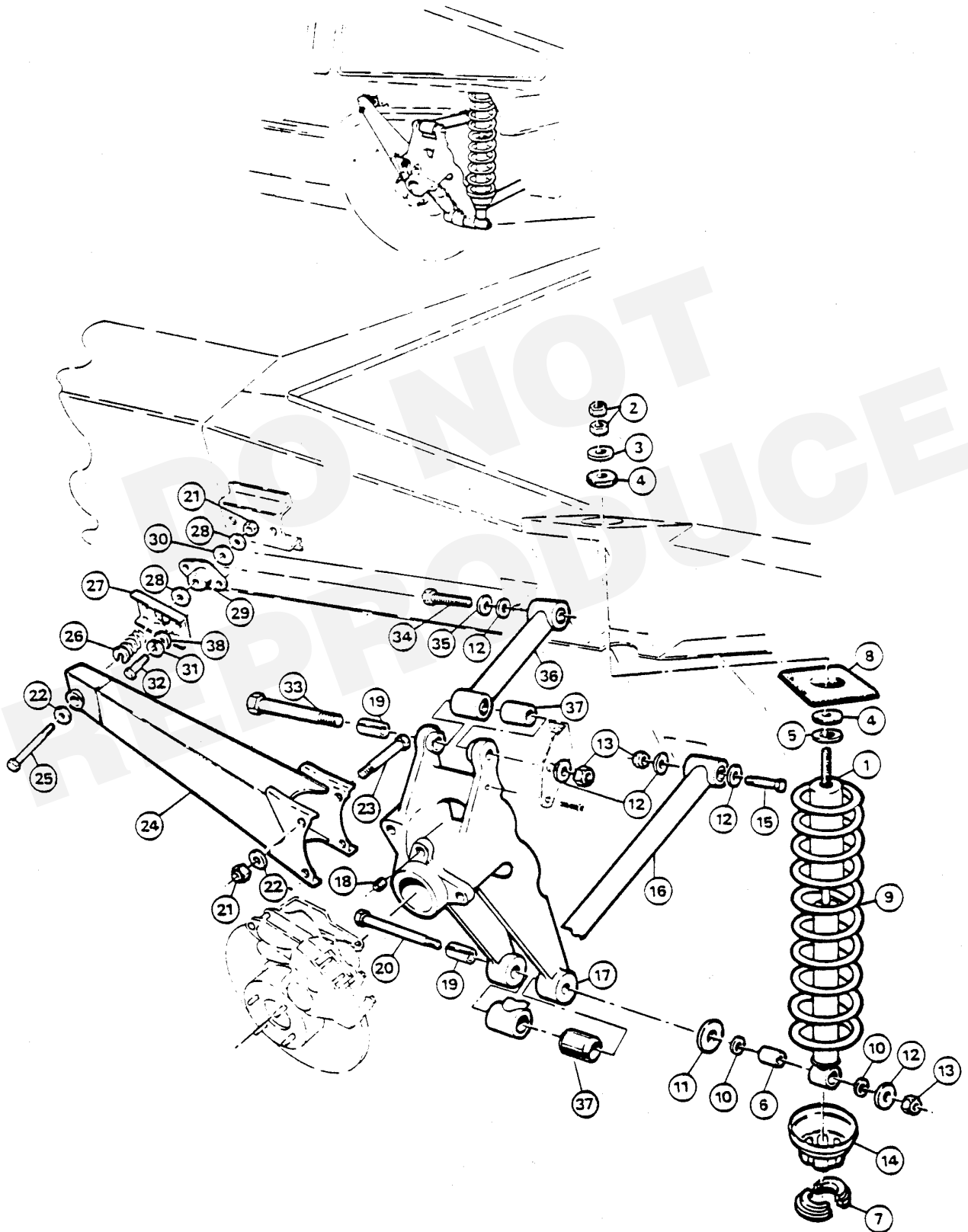
SECTION		SUSPENSION AND STEERING		
SUBSECTION		STEERING COLUMN		
5	2	1 GROUP		
FIG.	PART NUMBER	DESCRIPTION	QTY	REMARKS
1	101036	CENTRE PAD. STRG WHL	1	
2	100412	STEERING WHEEL	1	
3	SP10771	LOCKNUT M14	1	
4	SP10772	WASHER M14	1	
5	SP10018	SCREW M10	2	
6	SP10033	WASHER M10	2	
7	SP10026	NYLOC NUT M10	2	
8	106939	STEERING COLUMN	1	
9	101986	UPPER CANOPY	1	
10	101987	LOWER CANOPY	1	
11	SP10108	SCREW M4	4	
12	SP10169	CAPTIVE SPIRE NUT	1	
13	SP10711	SCREW-SELF TAPPING N8	1	
14	108036	LOWER COLUMN ASSY	1	
15	100839	. UNIVERSAL JOINT	1	
16	100840	. INTR STRG COLUMN	1	
17	SP10110	. SCREW N8	1	
18	SP10032	. WASHER M8	1	
19	SP10025	. NYLOC NUT M8	1	
17	SP10110	SCREW M8	1	
18	SP10032	WASHER M8	1	
19	SP10025	NYLOC NUT M8	1	
20	106955	BOLT M8	1	
21	SP10187	BINX NUT M8	1	
18	SP10032	WASHER M8	1	
23	101994	BUSH	1	INCLUDED IN PEDAL BOX ASSEMBLY (SEE 6-6-0)



SECTION		SUSPENSION AND STEERING		
SUBSECTION		REAR SUSPENSION		
5	3	0	GROUP	
FIG.	PART NUMBER	DESCRIPTION	QTY	REMARKS
1	100408	REAR DAMPER ASSY	2	
2	109085	. LOCK NUT	4	
3	109088	. RETAINING WASHER	2	
4	109087	. BUSH	4	
5	109089	. WASHER-SUPPORT	2	
6	109086	. BONDED BUSH	2	
7		SPLIT SUPT COLLAR	4	NOT SERVICED
8	101213	REAR SPRING ISOLATOR	2	
9	100414	REAR SPRING	2	
10	110584	WASHER	4	
11	SP10776	WASHER LARGE	2	
12	SP10058	WASHER	10	
13	SP10059	NYLOC NUT	6	
14	101205	REAR SPRING PLATFORM	2	
15	101259	FULCRUM BOLT	2	
16	101042	LOWER LINK ASSY	2	
37	100154	. BUSH	4	ALSO USED IN TOP LINK
17	100469	REAR HUB CARRIER LH	1	
	100470	REAR HUB CARRIER RH	1	
18	SP10413	. HELI COIL	4	
19	100481	SPLIT SPACER	4	
20	100482	PIVOT BOLT	2	
21	SP10178	NYLOC NUT M12	6	
22	SP10868	WASHER M12	6	
23	106884	BOLT M12	4	
24	100231	RADIUS ARM LH	1	
	100232	RADIUS ARM RH	1	
25	106883	BOLT M12	2	
26	106680	WASHER-SHIM	A/R	MAX 5 PER SIDE
27	106708	REINFORCING PLATE	2	
28	101935	WASHER-SNUB	4	
29	106716	RADIUS ARM BUSH	2	
30	106962	WASHER-SNUB	2	
31	SP10035	WASHER-SPRING M8	4	
32	SP10219	SCREW M8	4	
33	100735	PIVOT BOLT	2	
34	101259	FULCRUM BOLT	2	
35	SP10074	WASHER-SPRING	2	
36	101041	TOP LINK ASSY	2	
37	100154	. BUSH TOP LINK	8	ALSO USED IN LOWER LINK
38	SP10032	WASHER M8	4	

SUSPENSION AND STEERING  
REAR SUSPENSION

SECTION  
5  
SUBSECTION  
3  
GROUP  
0



5-3-0-4-27-81