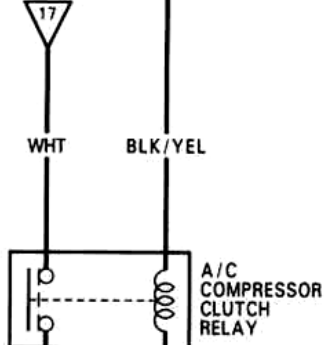


BAT

IG2-B BLU/WHT

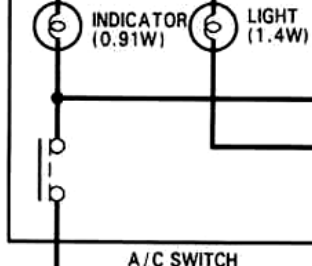
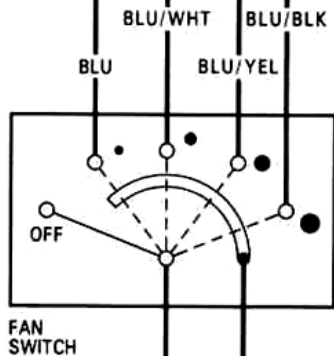
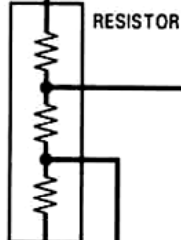
No. 17 (7.5A) FUSE <2-B or 2-D>

No. 20 (15A) FUSE <2-B or 2-D>



HEATER BLOWER MOTOR

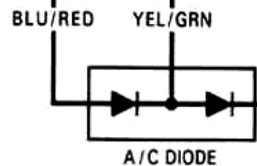
BLU/BLK



CONDENSER FAN RELAY <2-B or 2-C>

No. 11 (15A) FUSE <5-C or 6-C>

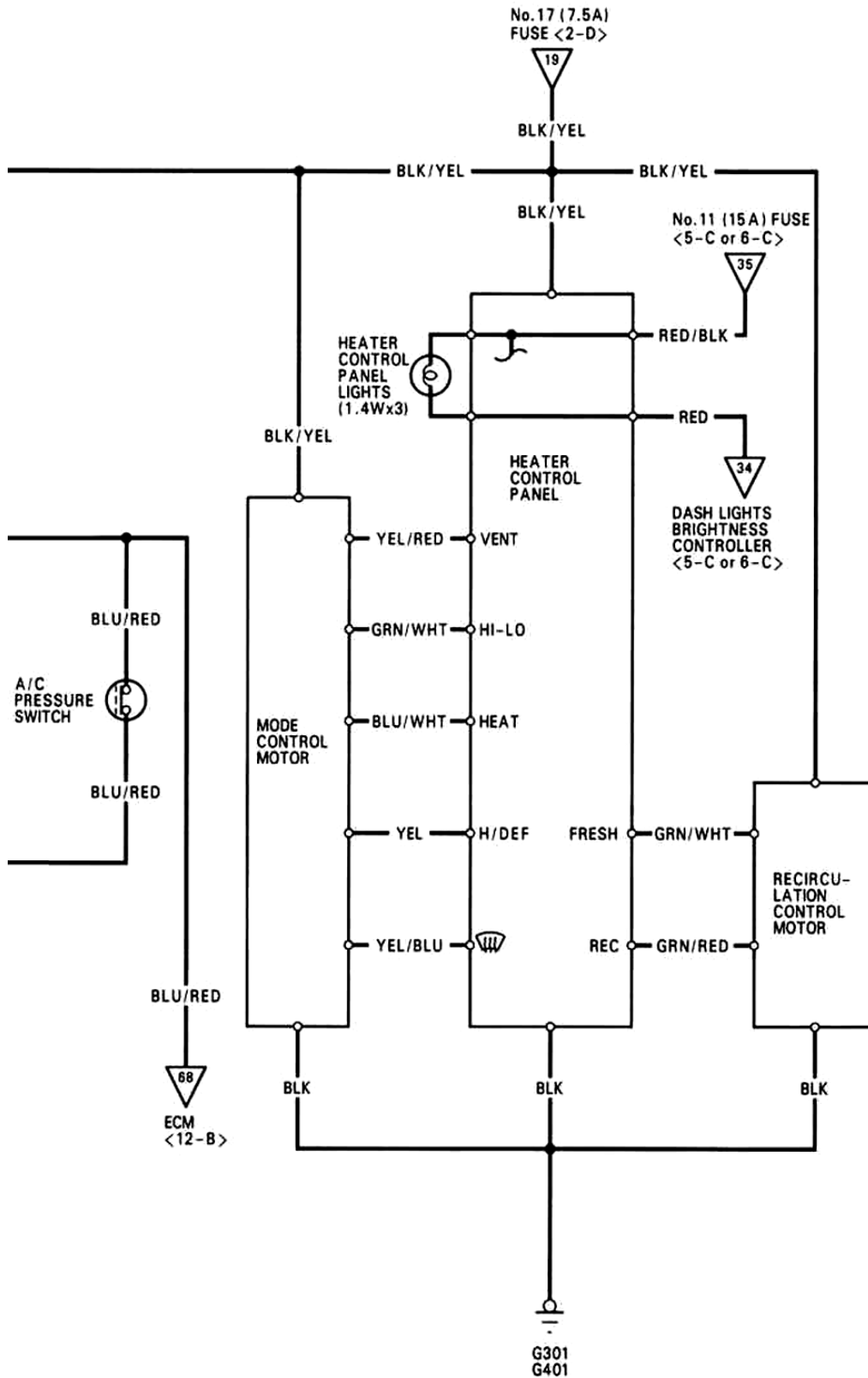
RADIATOR FAN RELAY <2-B or 2-C>

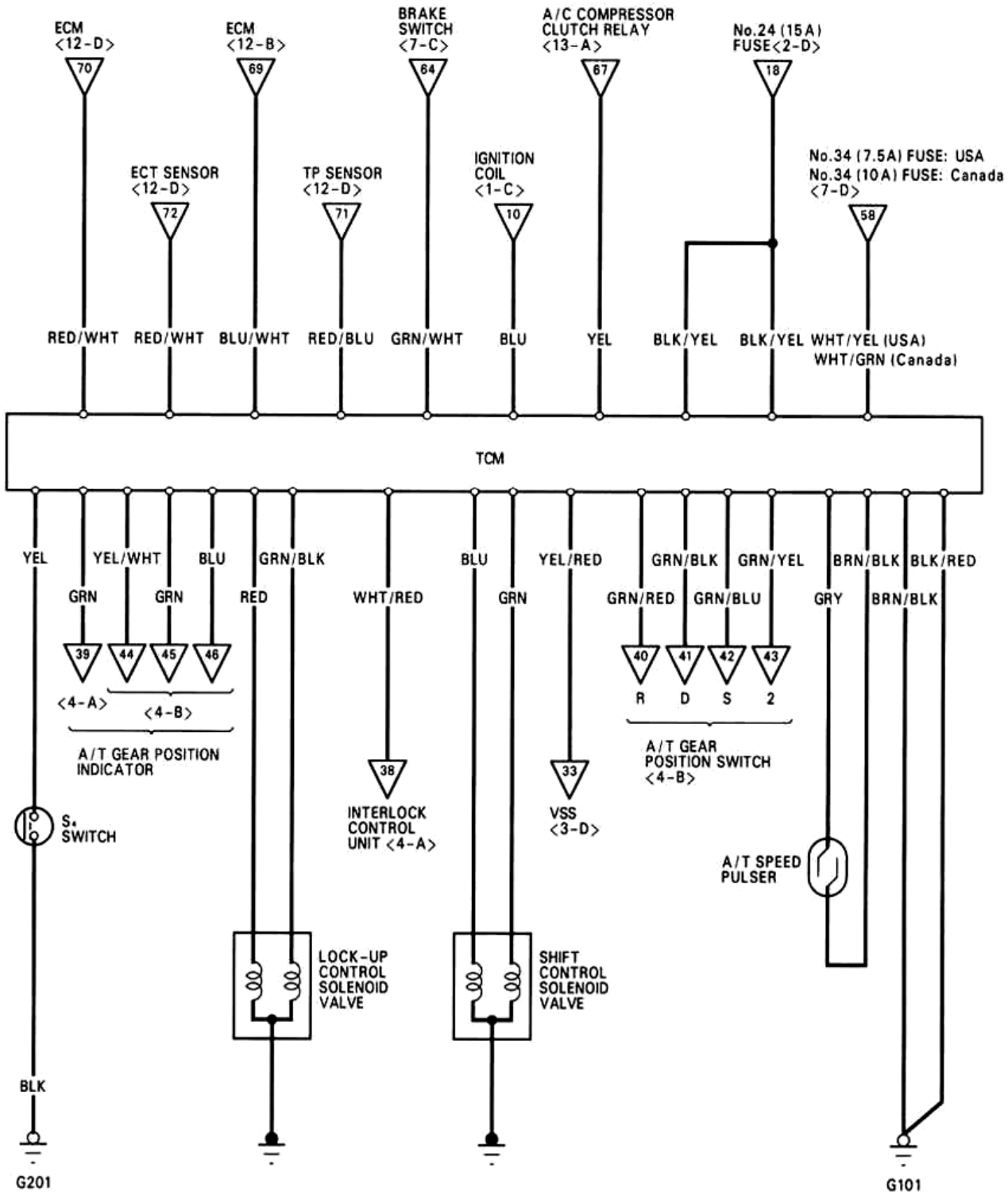


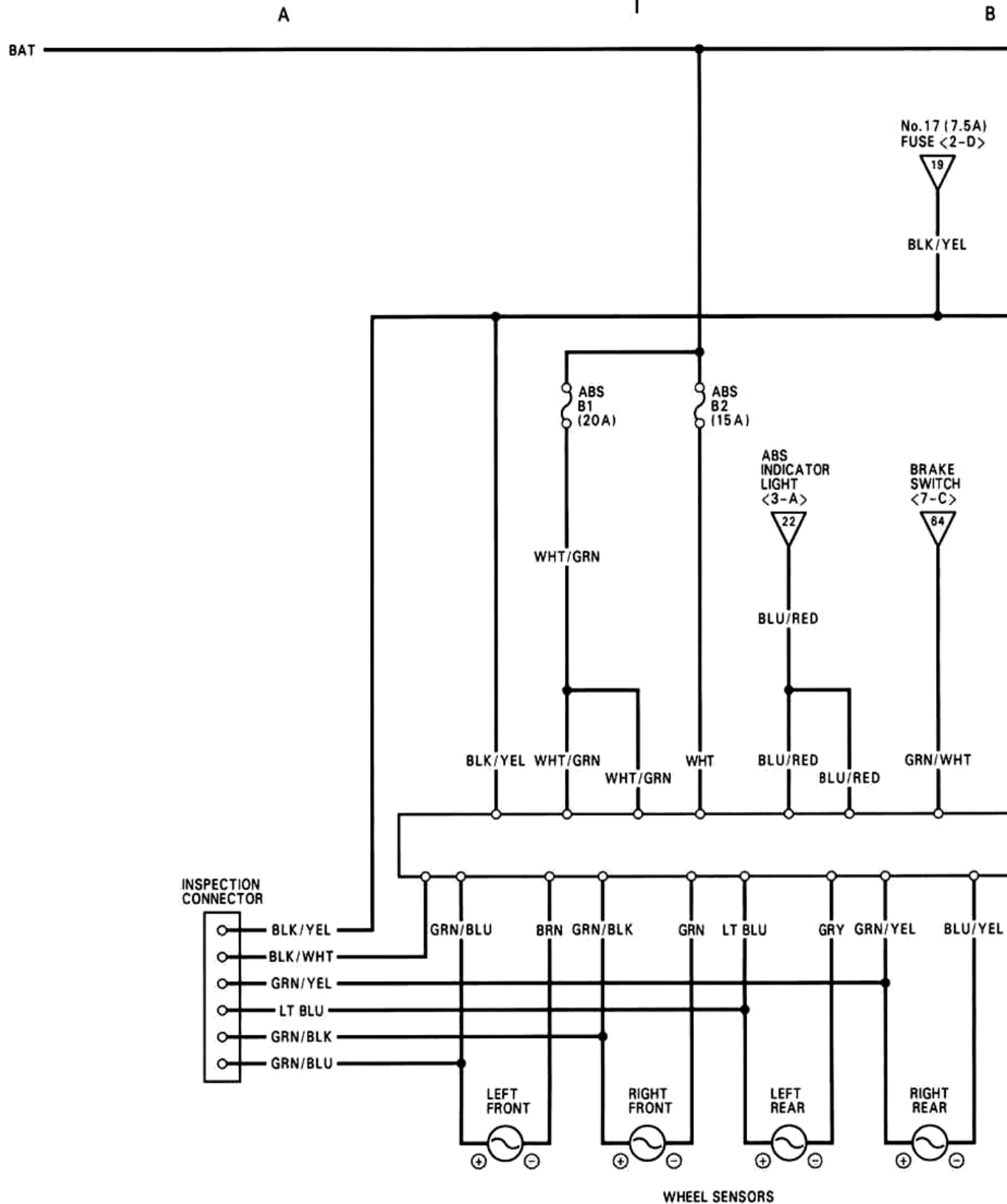
DASH LIGHTS BRIGHTNESS CONTROLLER <5-C or 6-C>

G201

(Internal connection in the UNDER-HOOD MAIN FUSE BOX)



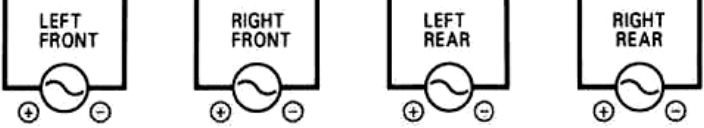




INSPECTION CONNECTOR

- BLK/YEL
- BLK/WHT
- GRN/YEL
- LT BLU
- GRN/BLK
- GRN/BLU

GRN/BLU BRN GRN/BLK GRN LT BLU GRY GRN/YEL BLU/YEL



WHEEL SENSORS

(Internal connection in the UNDER-HOOD MAIN FUSE BOX)

