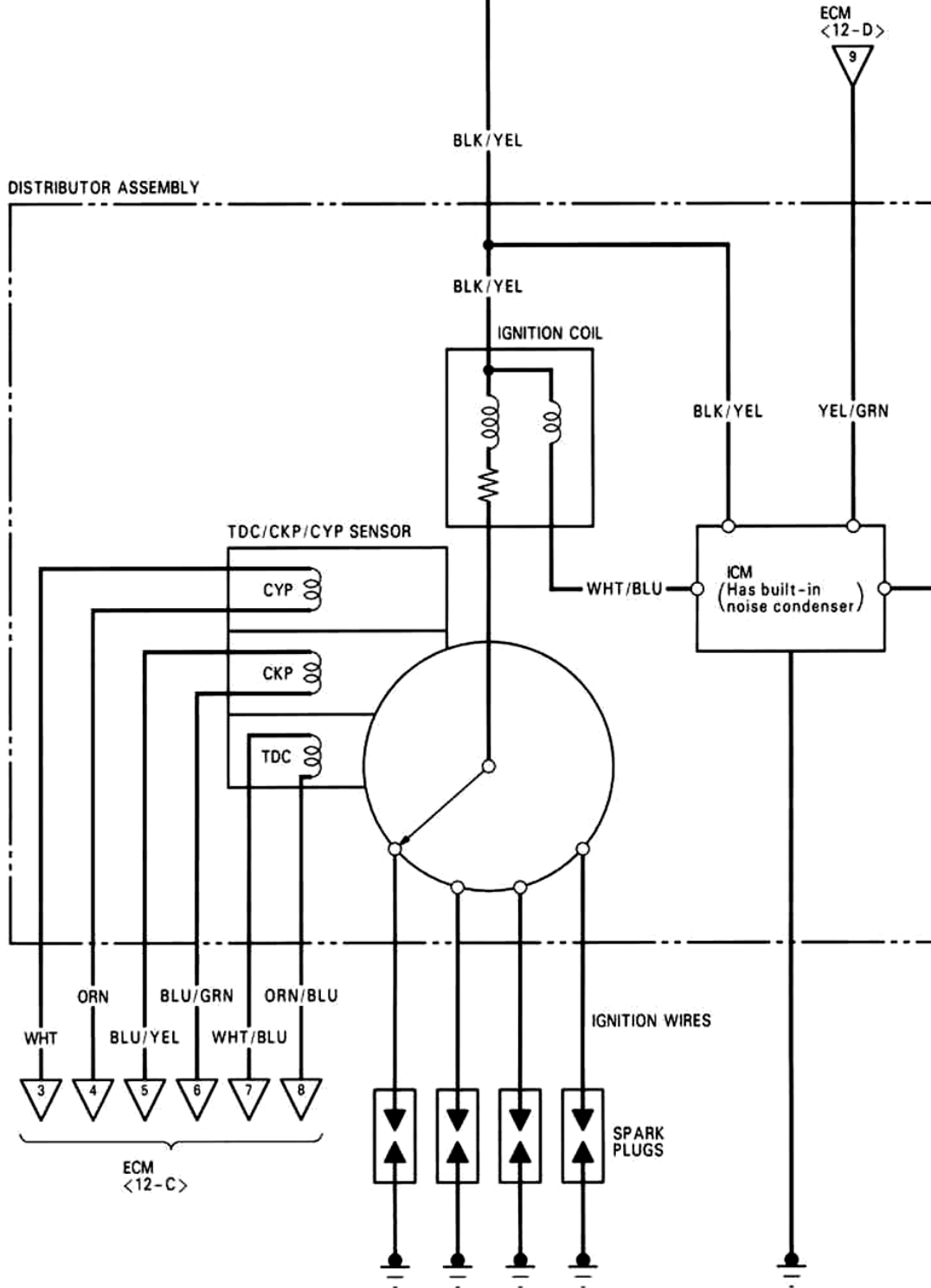
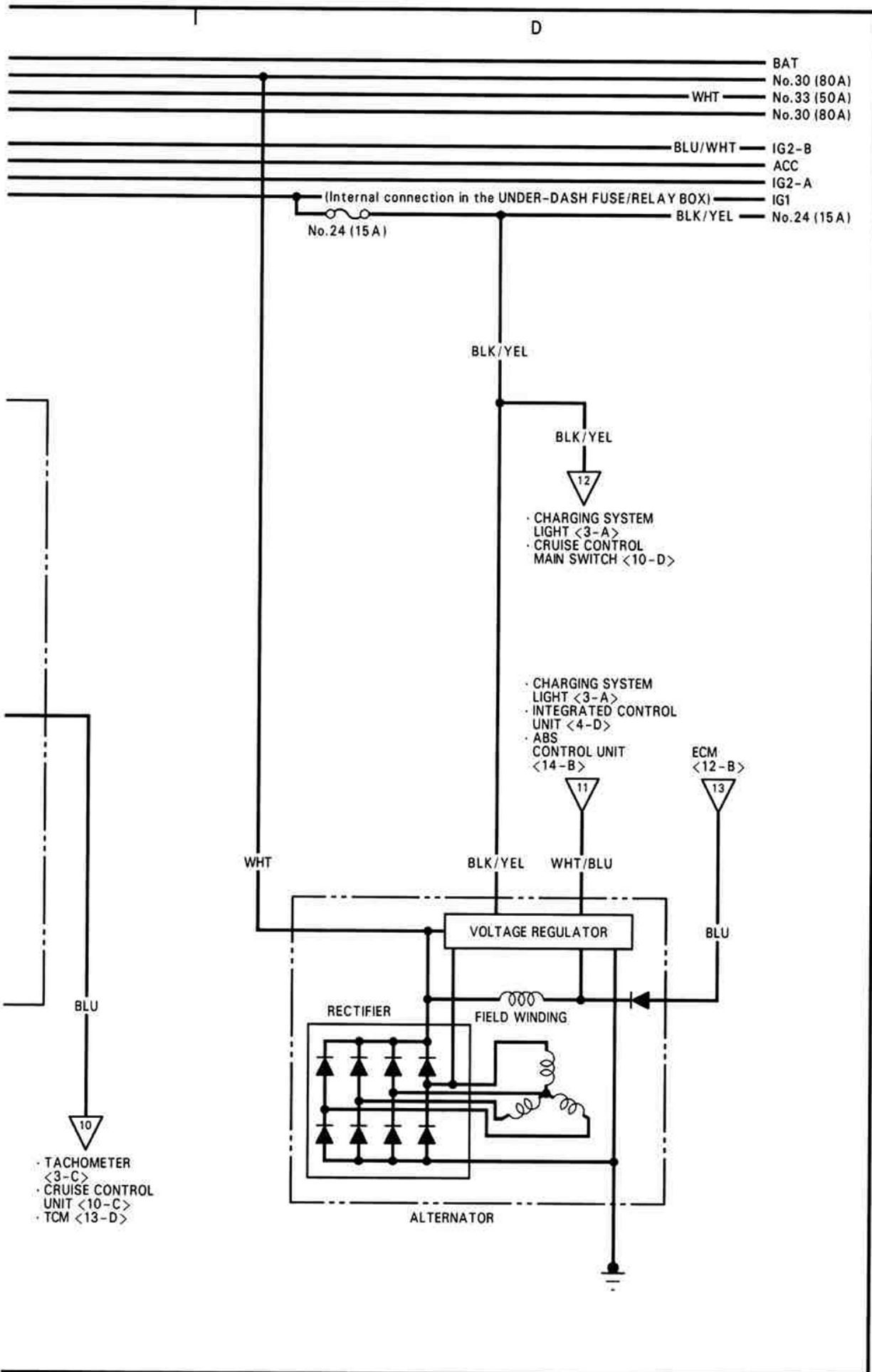
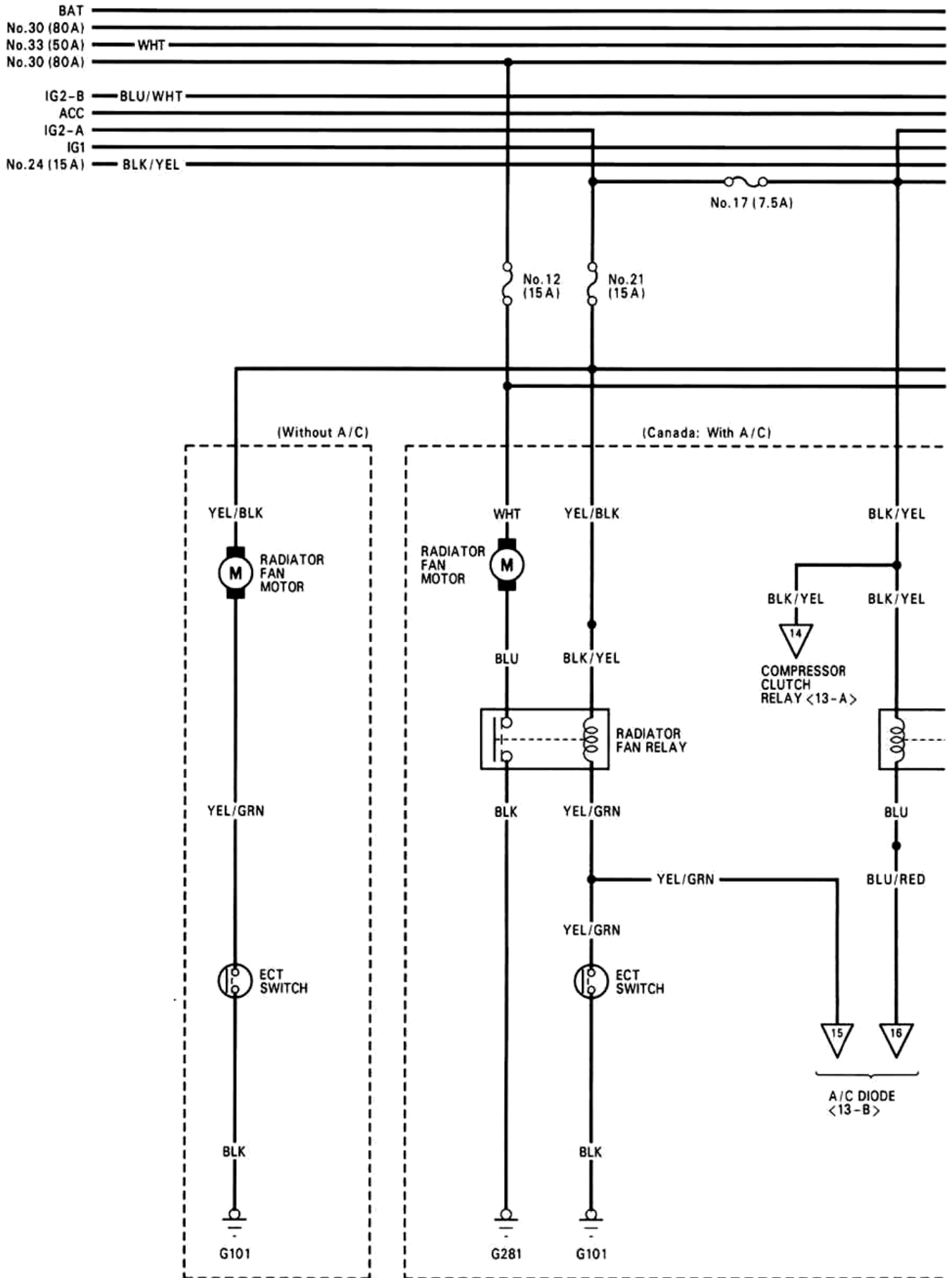


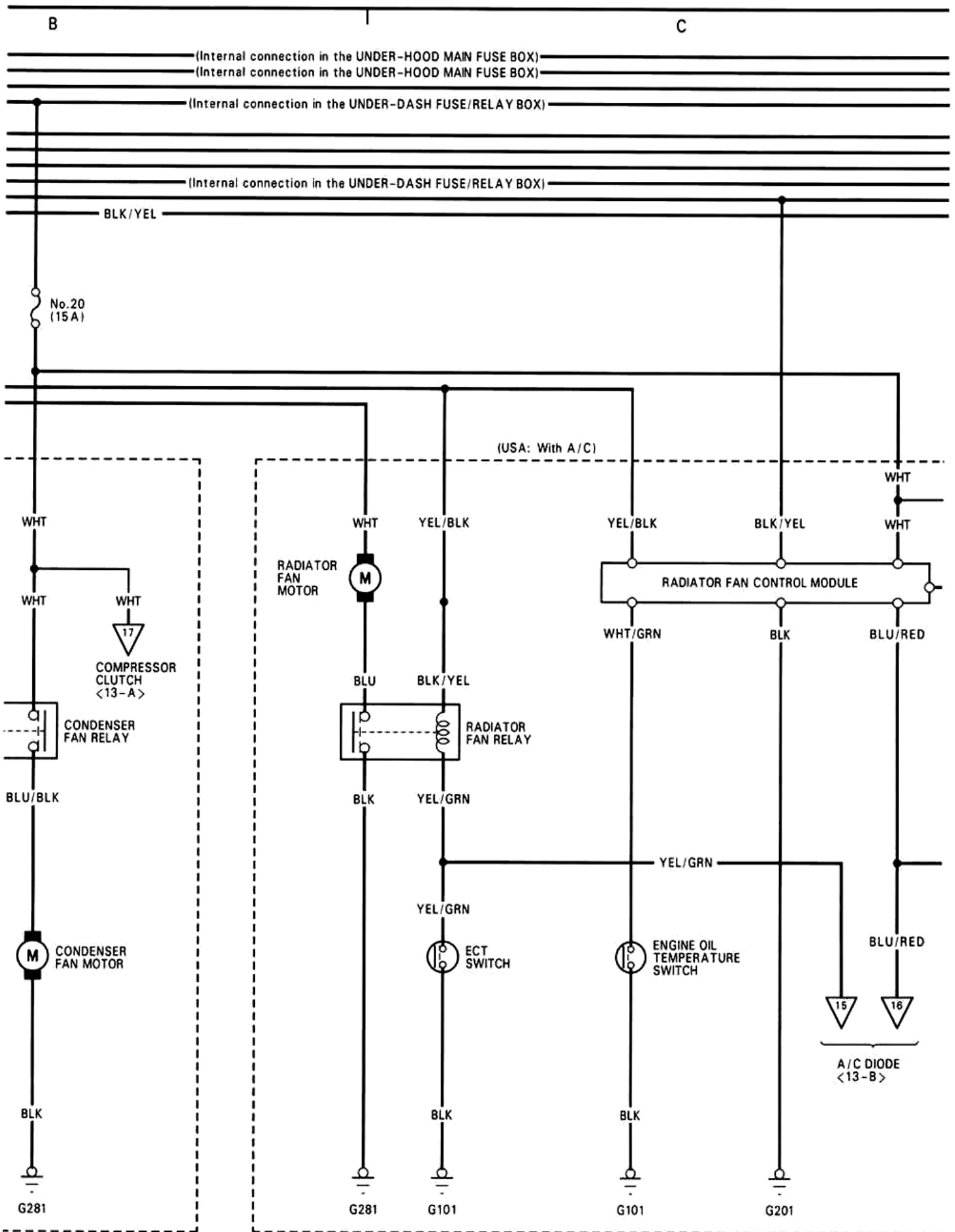
———— (Internal connection in the UNDER-HOOD MAIN FUSE BOX) ————
———— (Internal connection in the UNDER-HOOD MAIN FUSE BOX) ————
———— (Internal connection in the UNDER-DASH FUSE/RELAY BOX) ————
————
————
————



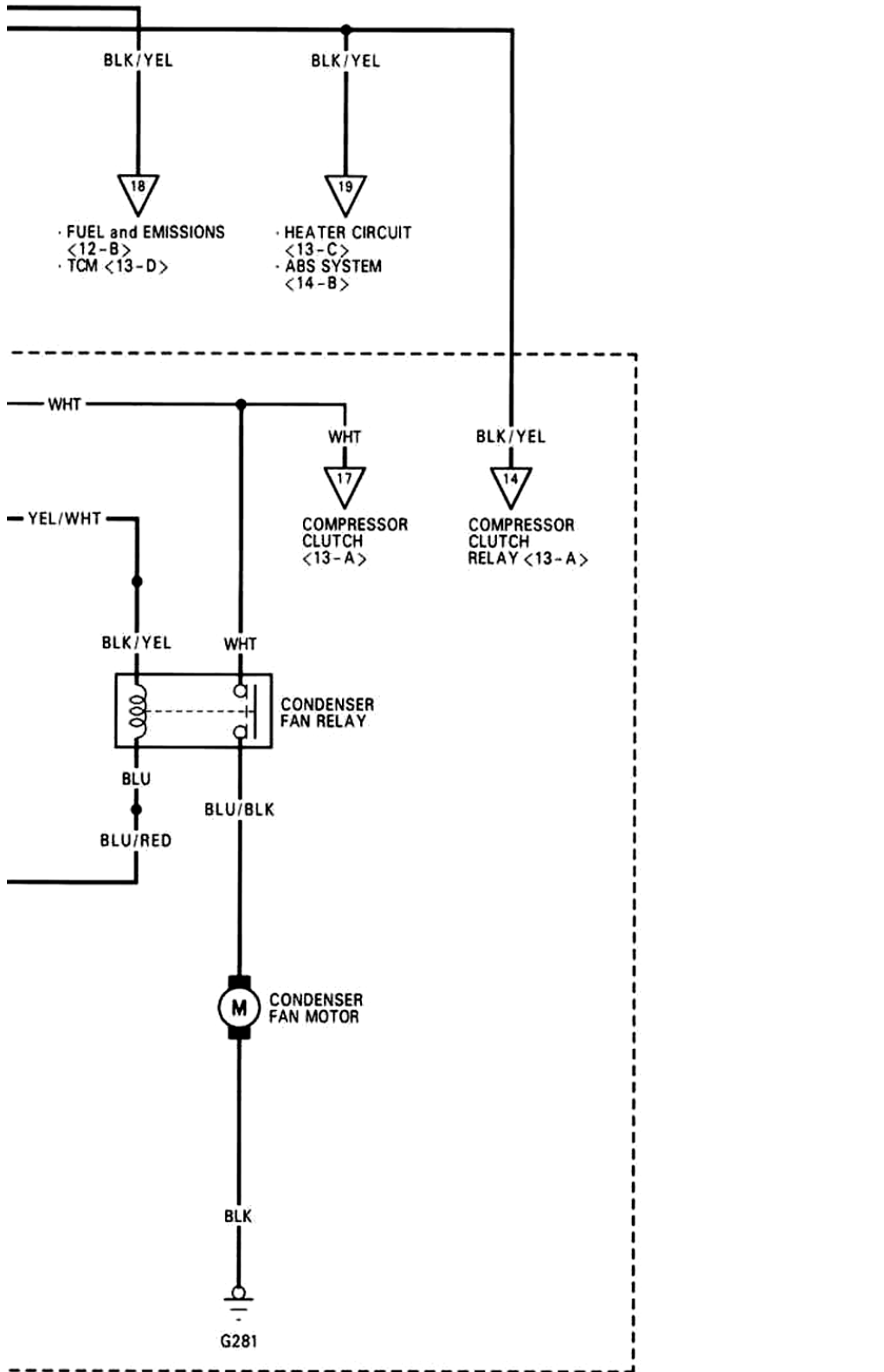
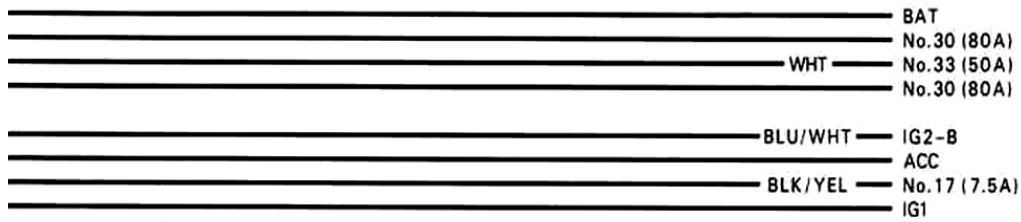


A

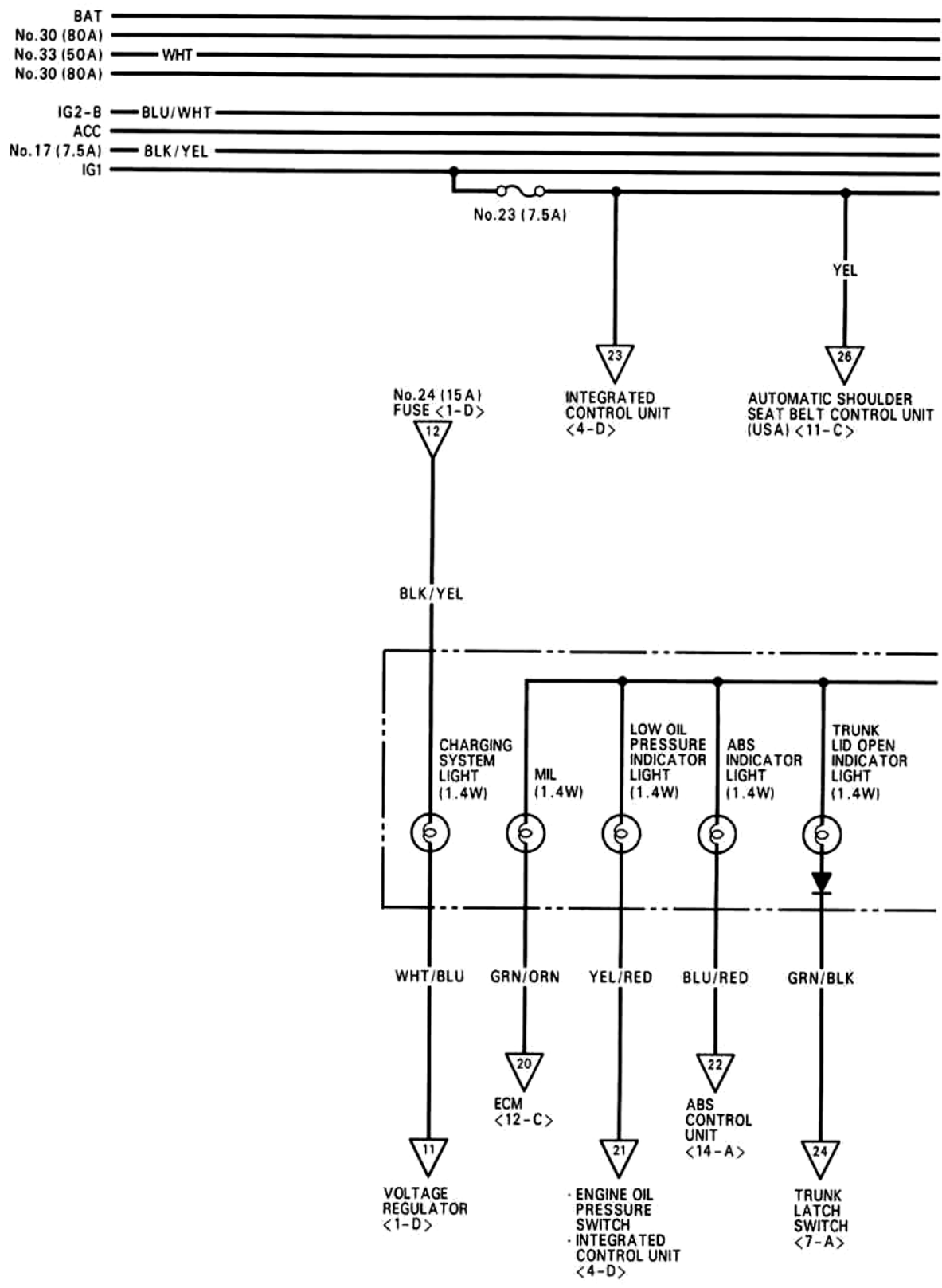




D



A



B

C

(Internal connection in the UNDER-HOOD MAIN FUSE BOX)

(Internal connection in the UNDER-HOOD MAIN FUSE BOX)

(Internal connection in the UNDER-DASH FUSE/RELAY BOX)

(Internal connection in the UNDER-DASH FUSE/RELAY BOX)

YEL

IGNITION COIL <1-C>



BLU

GAUGE ASSEMBLY

BRAKE SYSTEM LIGHT (1.4W)



SEAT BELT REMINDER LIGHT (1.4W)



DOOR OPEN INDICATOR LIGHT (USA) (1.4W)



LOW FUEL INDICATOR LIGHT (1.4W)



FUEL GAUGE

ECT GAUGE

TACHOMETER

GRN/RED

ABS CONTROL UNIT <14-C>



GRN/RED

GRN/RED



PARKING BRAKE SWITCH (USA)



BRAKE FLUID LEVEL SWITCH

BLK

G301

YEL/RED

GRN/RED

GRN/RED

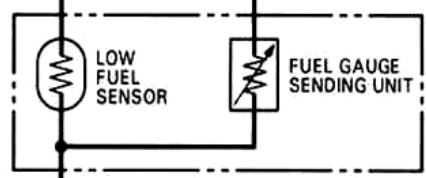
YEL/WHT

YEL/GRN

PASSENGER'S DOOR SWITCH <7-B>



- AUTOMATIC SHOULDER SEAT BELT CONTROL UNIT (USA) <11-B>
- DRIVER'S SEAT BELT SWITCH (Canada) <4-C>



BLK/WHT

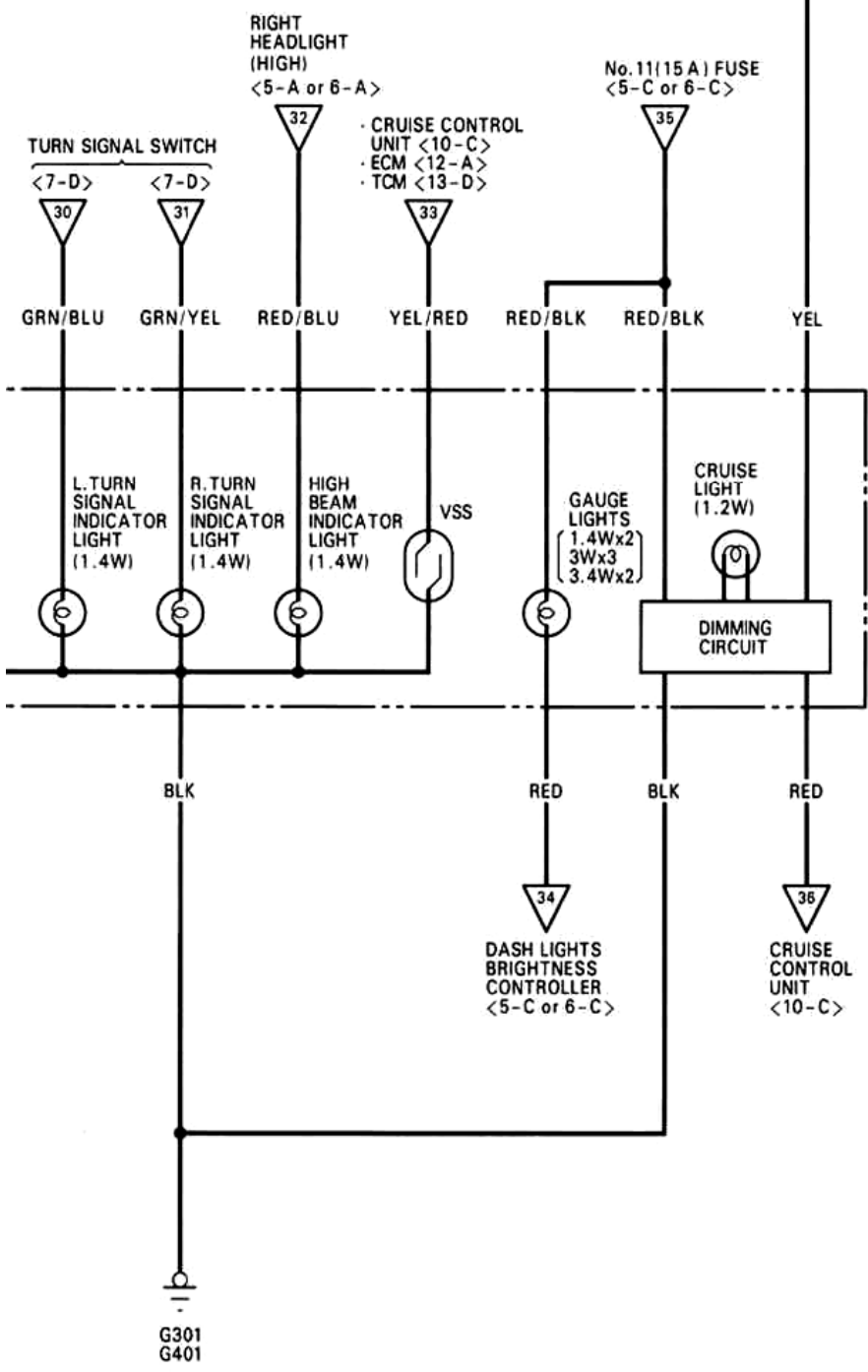
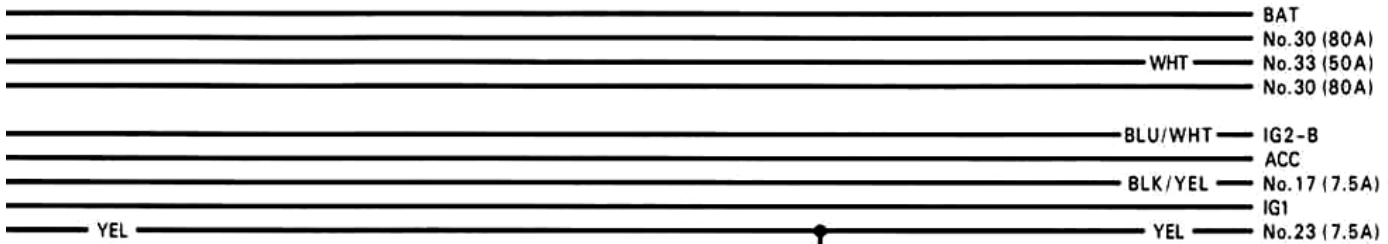
G521 (Hatchback)
G522 (Sedan)

ECT SENDING UNIT

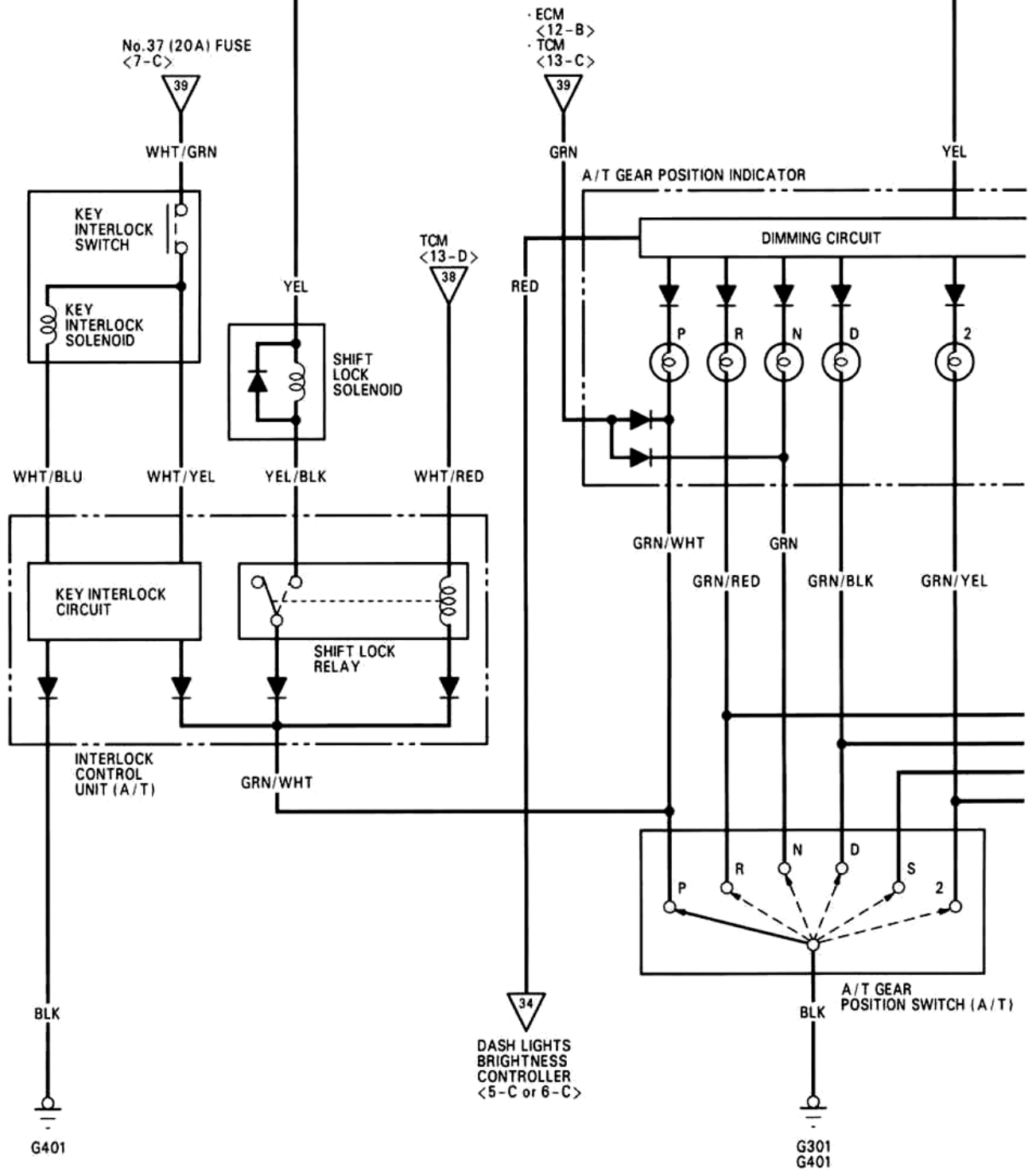


- INTEGRATED CONTROL UNIT <4-D>
- DAYTIME RUNNING LIGHTS RELAY (Canada) <6-D>





- BAT
- No. 30 (80A)
- No. 33 (50A) — WHT
- No. 30 (80A)
- IG2-B — BLU/WHT
- ACC
- No. 17 (7.5A) — BLK/YEL
- IG1
- No. 23 (7.5A) — YEL



B

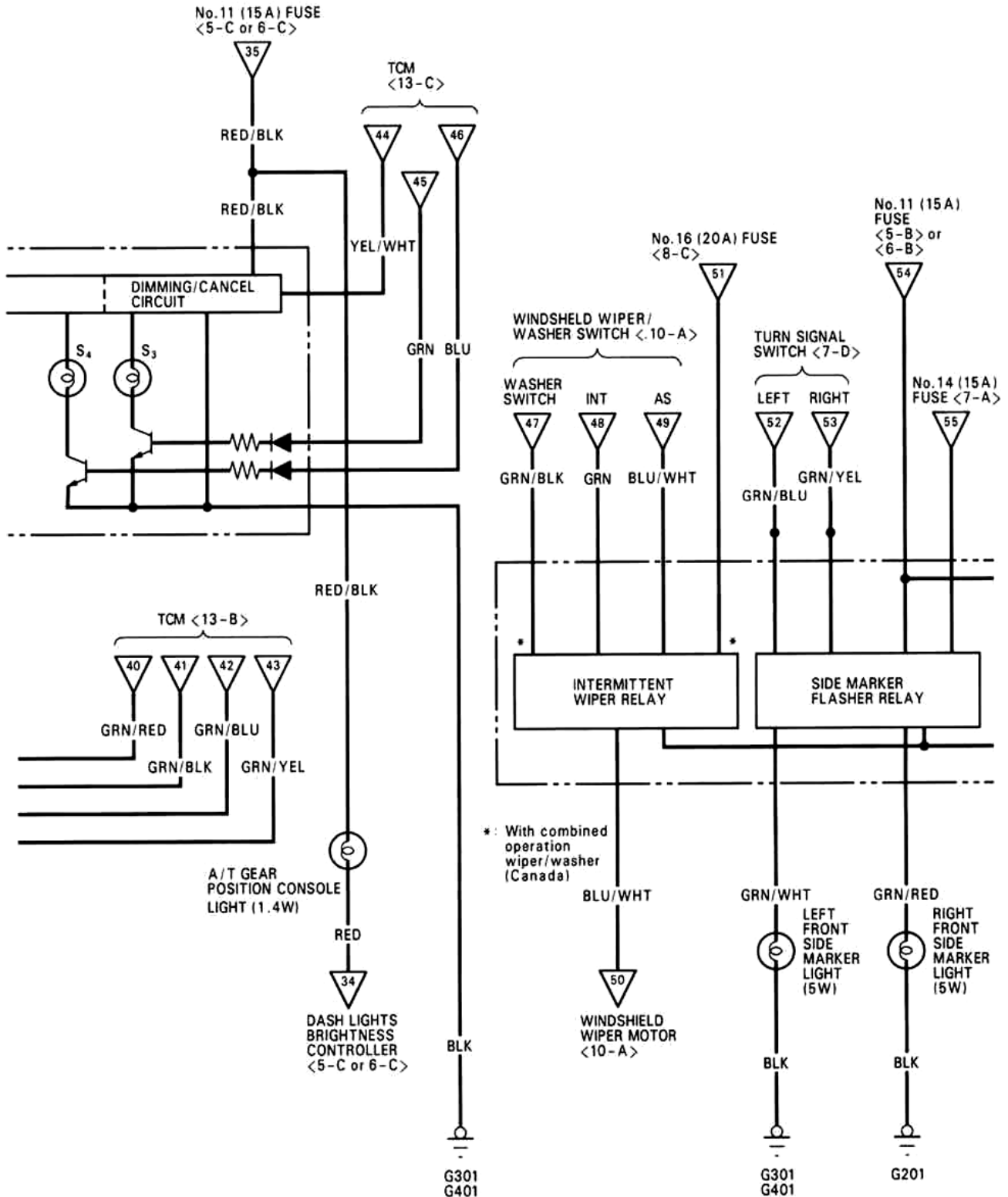
C

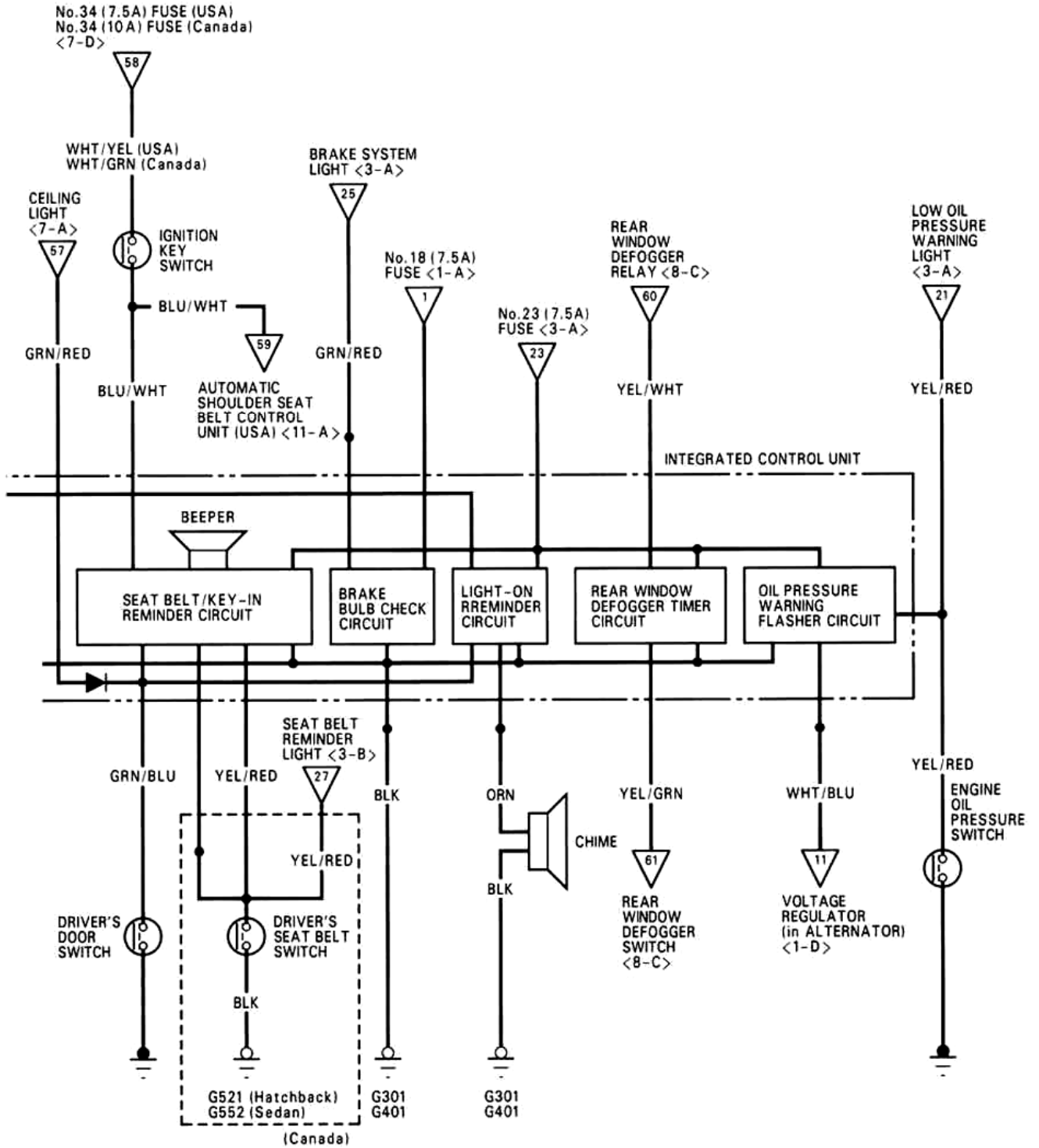
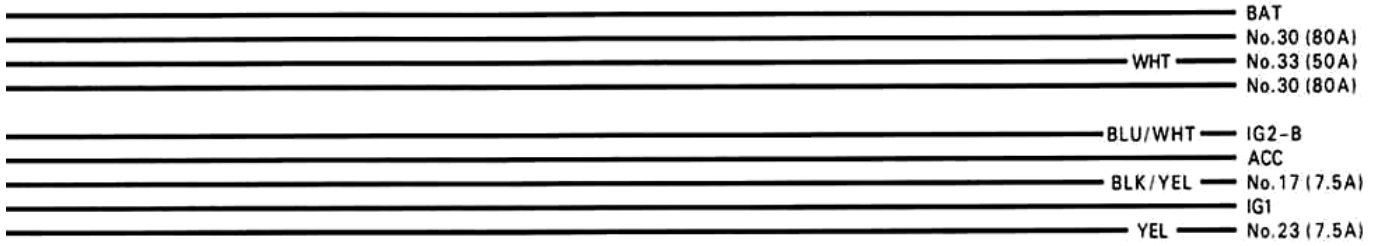
(Internal connection in the UNDER-HOOD MAIN FUSE BOX)

(Internal connection in the UNDER-HOOD MAIN FUSE BOX)

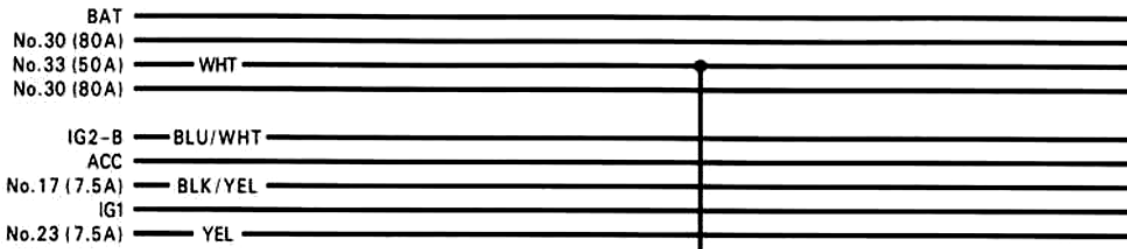
(Internal connection in the UNDER-DASH FUSE/RELAY BOX)

(Internal connection in the UNDER-DASH FUSE/RELAY BOX)

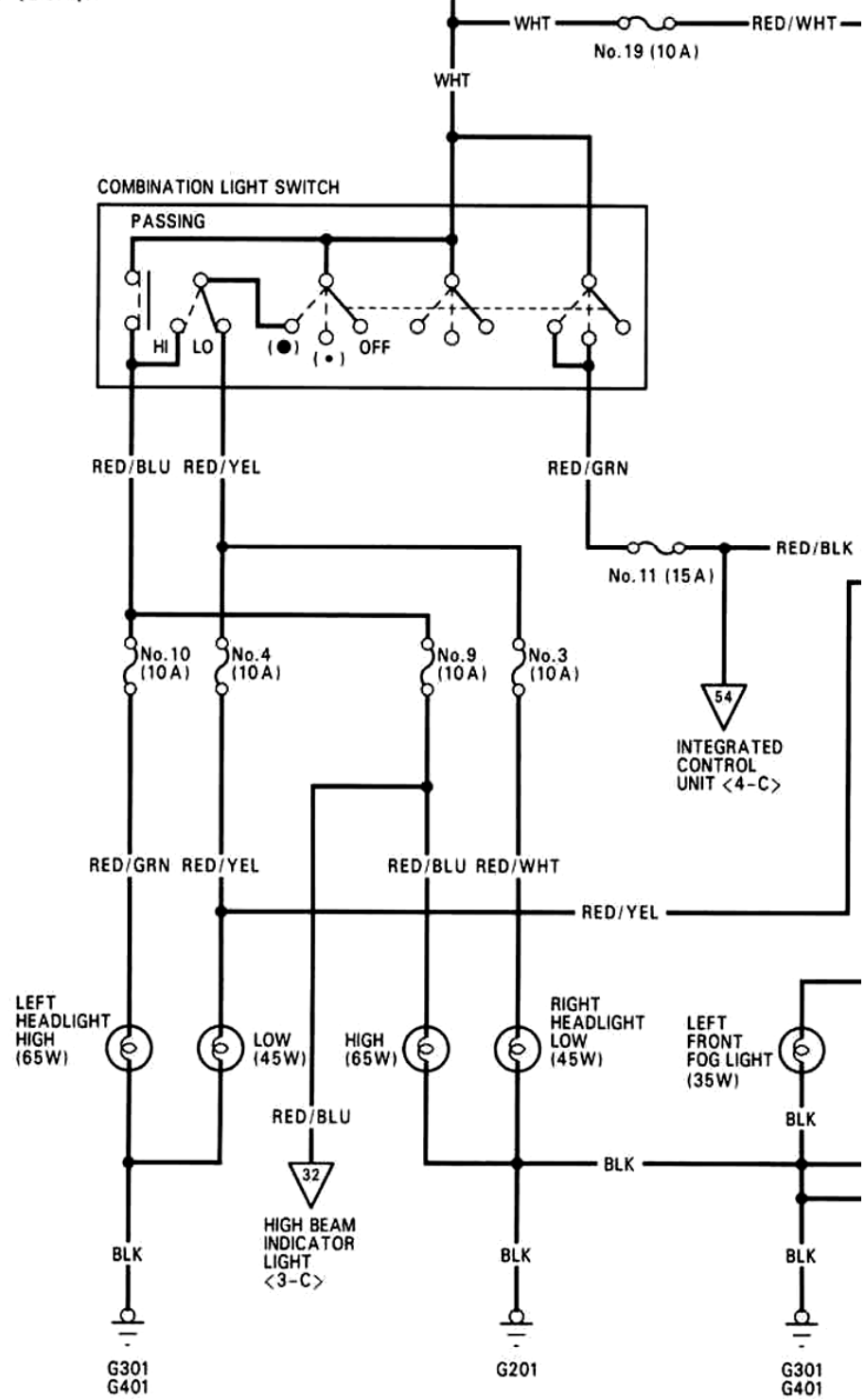




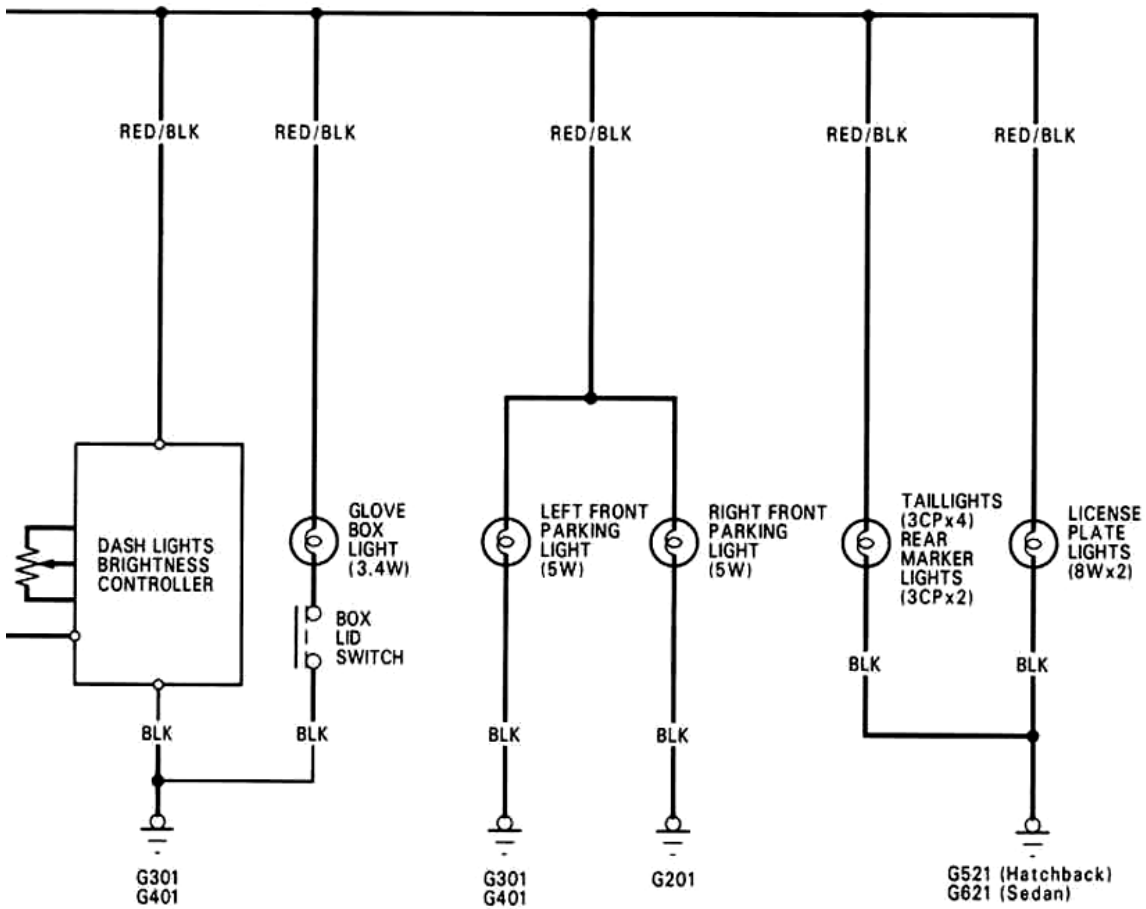
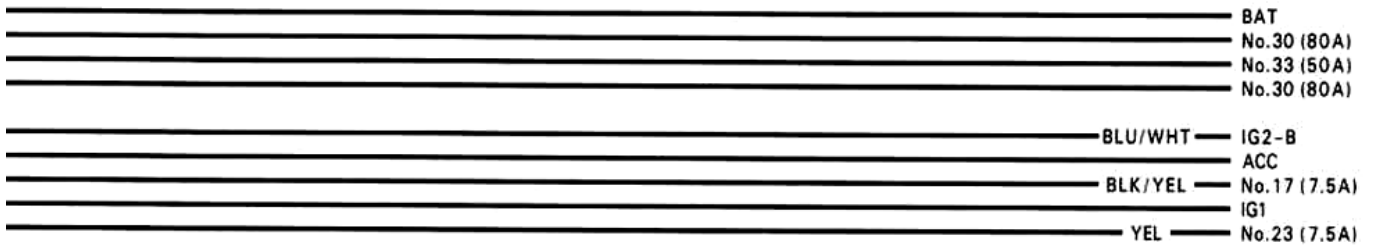
A



LIGHTING SYSTEM (USA):



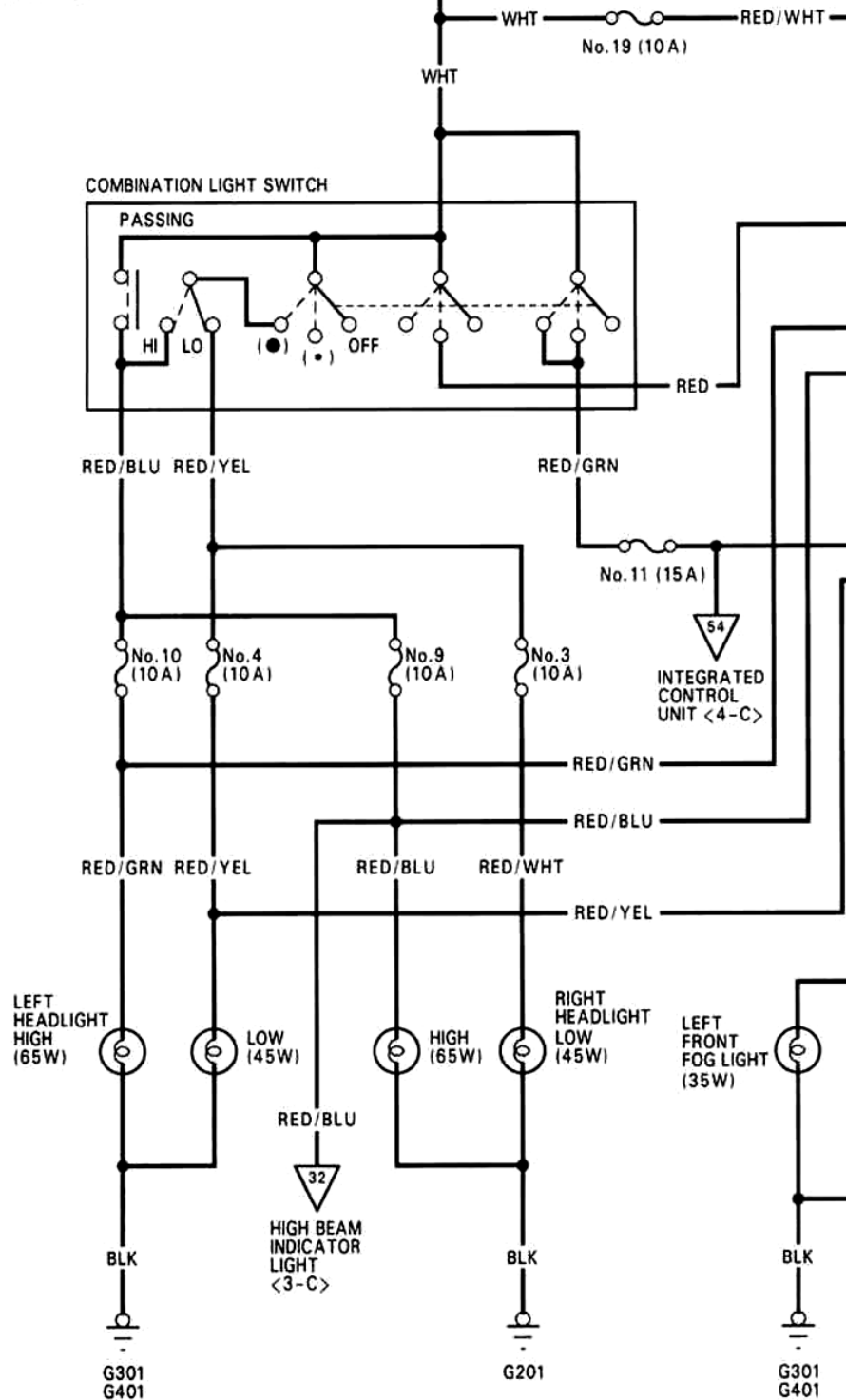
D



A



LIGHTING SYSTEM (Canada):



B

C

(Internal connection in the UNDER-HOOD MAIN FUSE BOX)
 (Internal connection in the UNDER-HOOD MAIN FUSE BOX)
 (Internal connection in the UNDER-DASH FUSE/RELAY BOX)
 (Internal connection in the UNDER-DASH FUSE/RELAY BOX)

(Internal connection in the UNDER-DASH FUSE/RELAY BOX)

BLK/YEL

AUXILIARY FUSE HOLDER

No.26 (7.5A)

RED/GRN

RED/BLU

DAYTIME RUNNING LIGHTS RESISTOR

RED/BLK

RED/BLK

RED/BLK

RED/BLK

INDICATOR LIGHT (0.91W)

LIGHT (0.91W)

FRONT FOG LIGHT SWITCH

62

35

- CLOCK <7-B>
- STEREO RADIO/CASSETTE PLAYER <8-B>

- GAUGE LIGHTS <3-D>
- A/T GEAR POSITION INDICATOR and A/T GEAR POSITION CONSOLE LIGHT <4-B>
- CIGARETTE LIGHTER <7-B>
- HAZARD SWITCH LIGHT <7-D>
- RADIO PANEL LIGHT <8-B>
- REAR WINDOW DEFOGGER SWITCH LIGHT <8-C>
- CRUISE CONTROL MAIN SWITCH LIGHT <10-D>
- A/C SWITCH LIGHT <13-B>
- HEATER CONTROL PANEL LIGHTS <13-C>

RED/WHT

RED/BLU

BLK

RED

FRONT FOG LIGHT RELAY

RED/BLK

BLK

RIGHT FRONT FOG LIGHT (35W)

BLK

RED

G201

